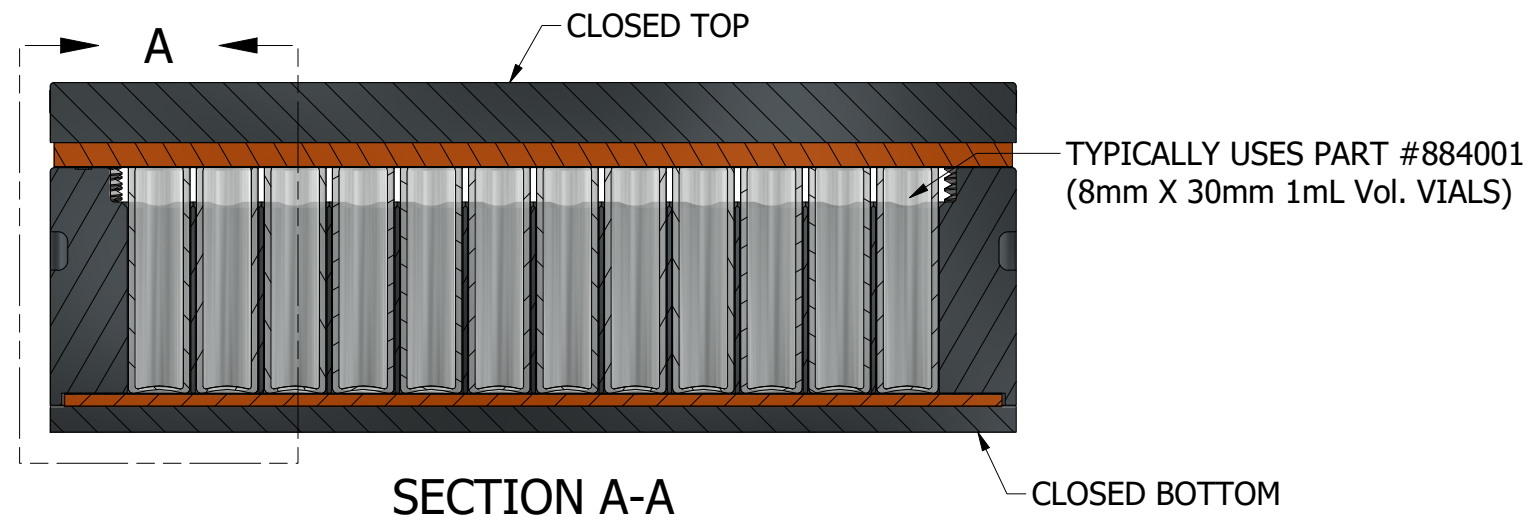
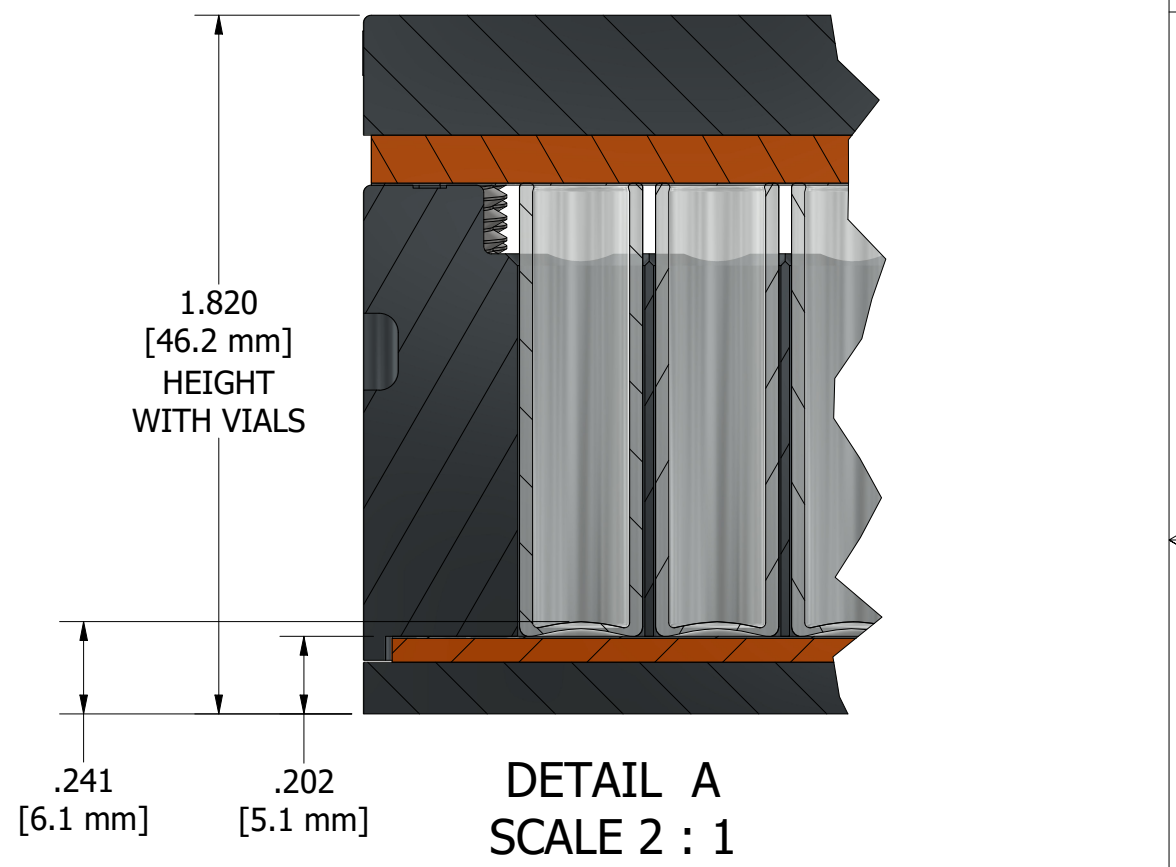


REVISION HISTORY			
REV	DESCRIPTION	DATE	APPROVED
1A	INITIAL RELEASE	1/16/2024	ENGINEERING
1B	ADDITIONAL NOTES	8/9/2024	DC ISOM
1C	ADDED PFA SHEET UNDER VIALS	2/11/2025	ENGINEERING



P

DRAWN SAS email engineering@analytical-sales.com	1/16/2024	<b>ANALYTICAL</b> SALES AND SERVICES, INC © 2025	
		TITLE	
		104960_rev1c_PUBLIC	
SIZE			REV
B			1C
SCALE	1 : 1	SHEET 1 OF 1	