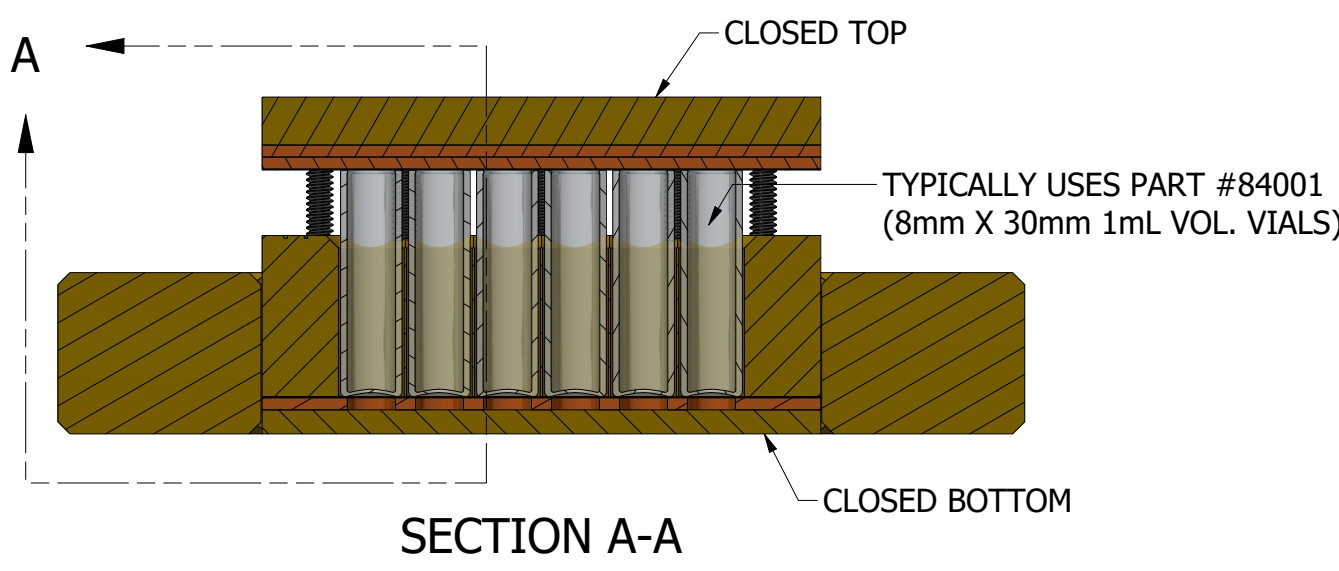
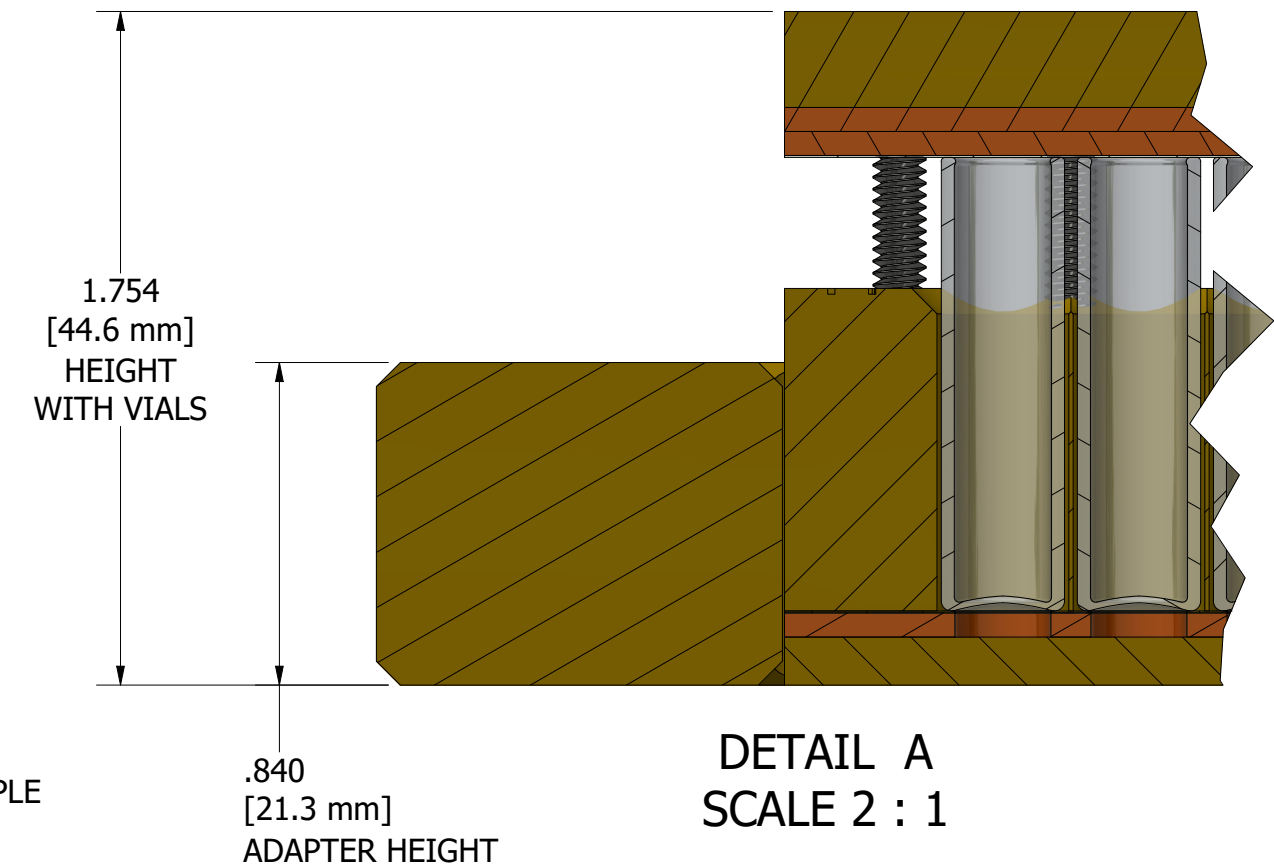


| REVISION HISTORY | | | |
|------------------|-----------------|----------|-------------|
| REV | DESCRIPTION | DATE | APPROVED |
| 1A | INITIAL RELEASE | 4/3/2024 | ENGINEERING |



P

| | | | |
|--|----------|---|--------------|
| DRAWN Sebastian Sosa email engineering@analytical-sales.com | 4/3/2024 | ANALYTICAL SALES AND SERVICES, INC © 2024 | |
| BREAK ALL EDGES | | TITLE 24240_rev1a_PUBLIC | |
| Tolerance (Unless Noted): .XXX = ± .005 .XX = ± .015 Angular ± 2° | | SIZE B | REV 1A |
| | | SCALE 1 : 1 | SHEET 1 OF 1 |