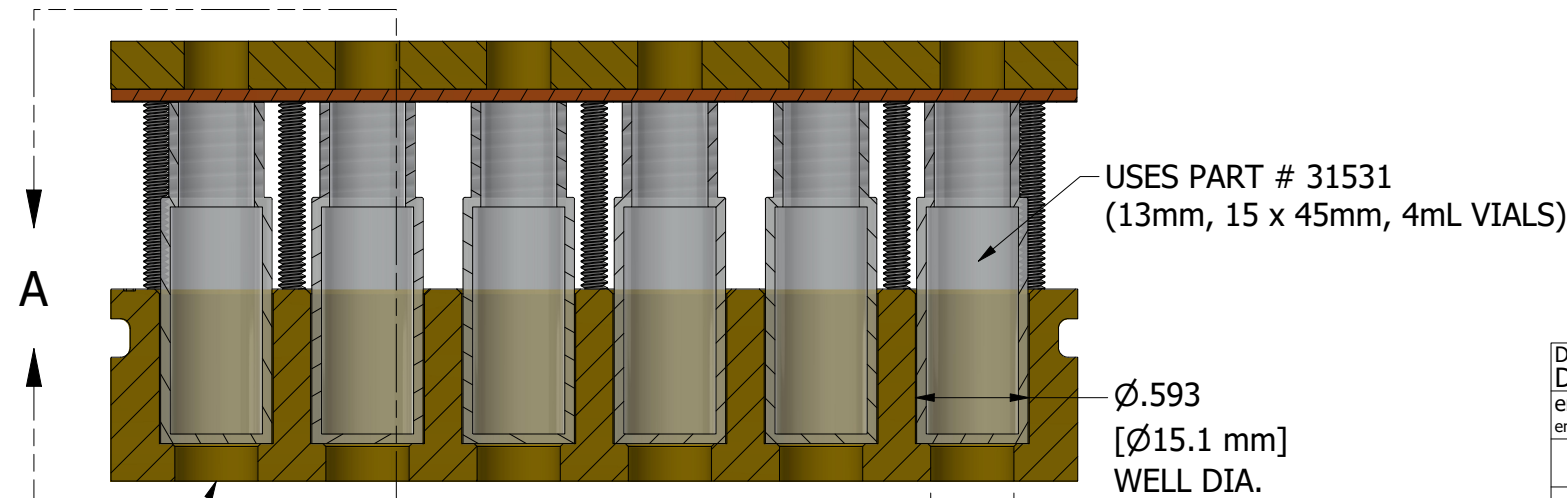
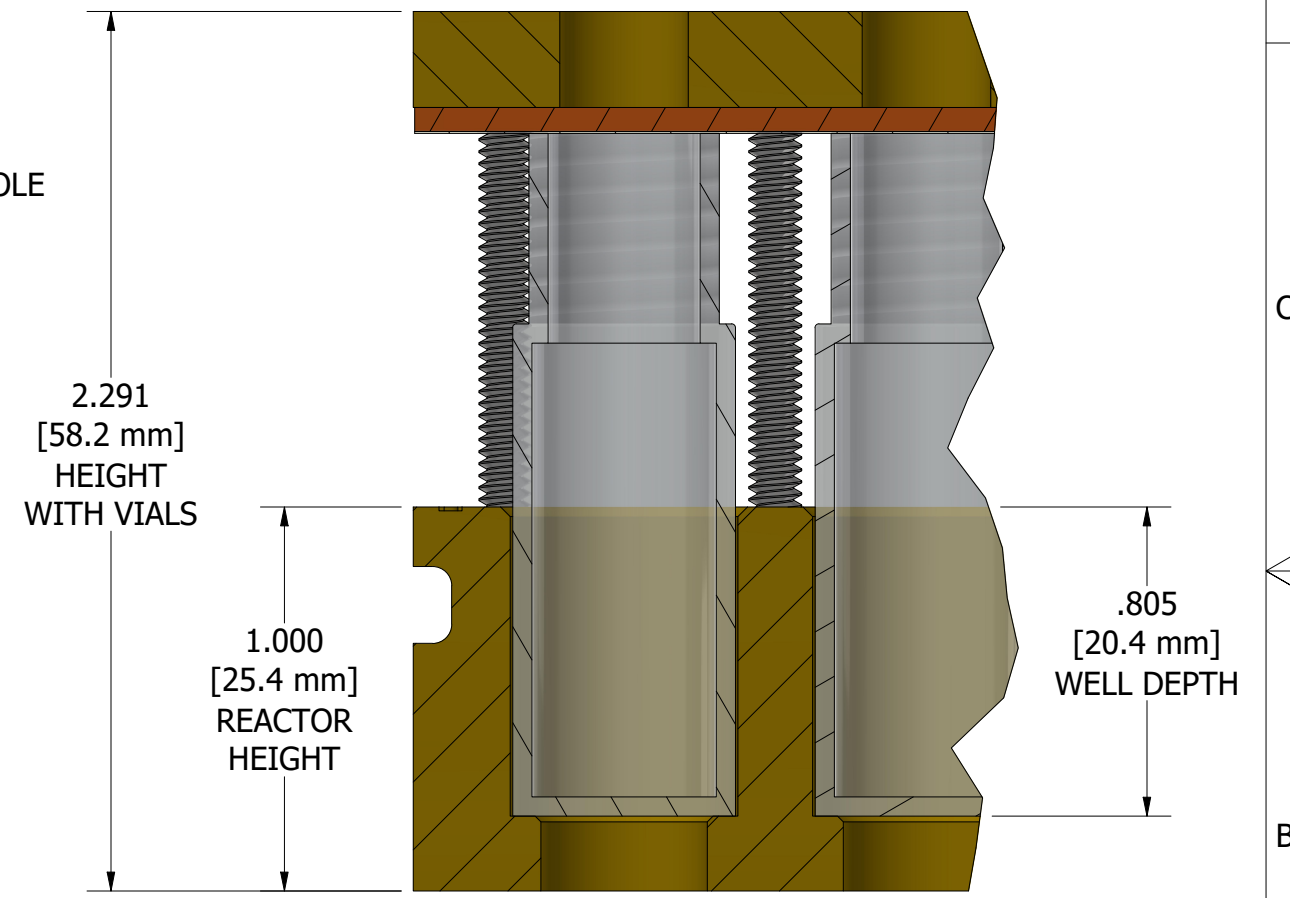


REVISION HISTORY			
REV	DESCRIPTION	DATE	APPROVED
1A	INITIAL RELEASE	8/28/2018	ENGINEERING
1B	ADDED WELL SPACING	10/26/2021	ENGINEERING
1C	UPDATED PRINT FORMAT	5/9/2024	ENGINEERING



DRAWN David C. Isom email engineering@analytical-sales.com	8/28/2018	<b>ANALYTICAL</b> SALES & SERVICES, INC © 2024	
TITLE 24615_4ml_open_bottom_rev1c_PUBLIC			
SIZE B		REV 1C	
SCALE 1 : 1	SHEET 1 OF 1		

P