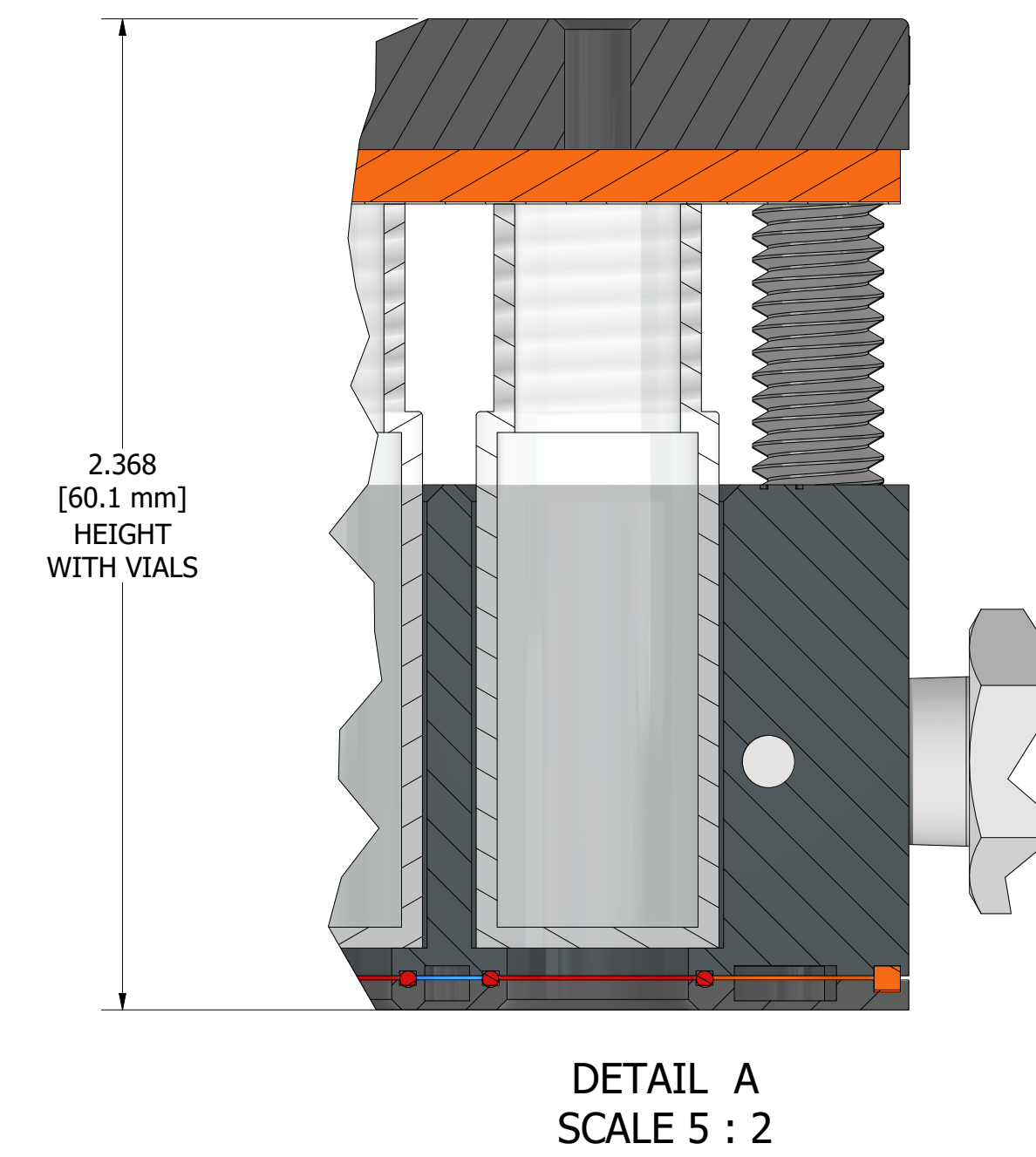
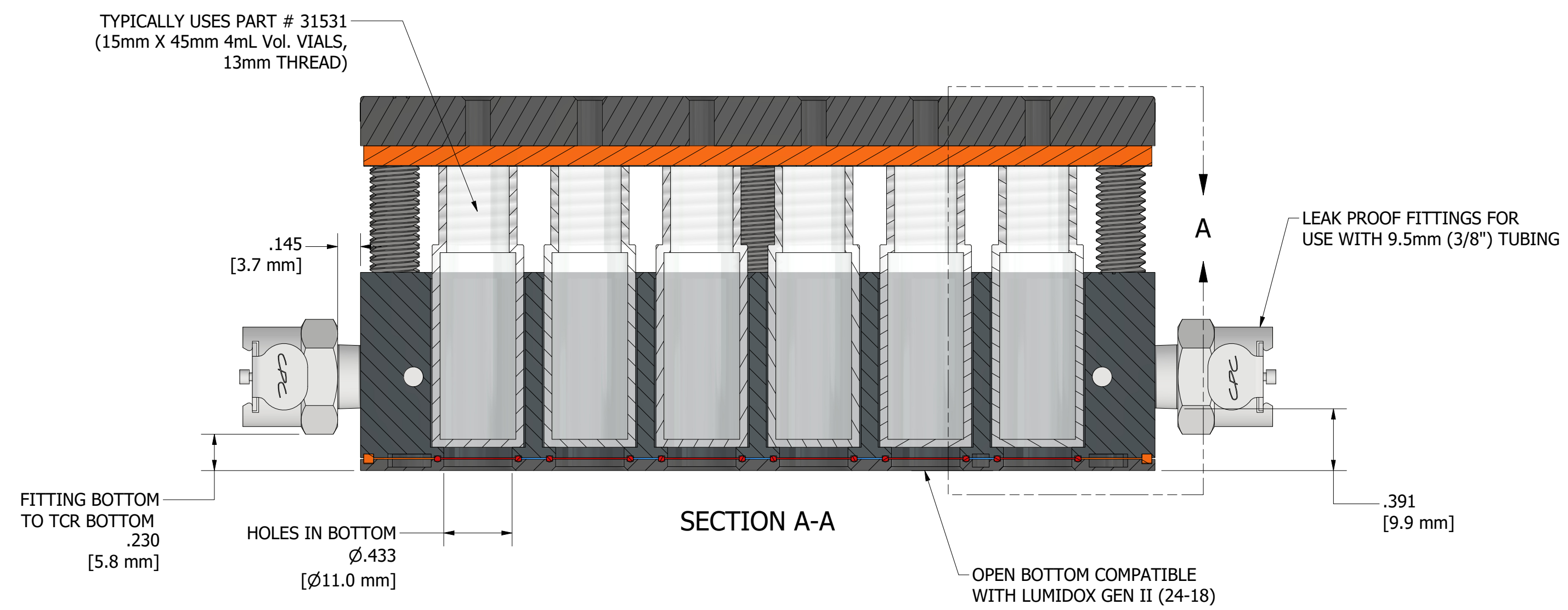
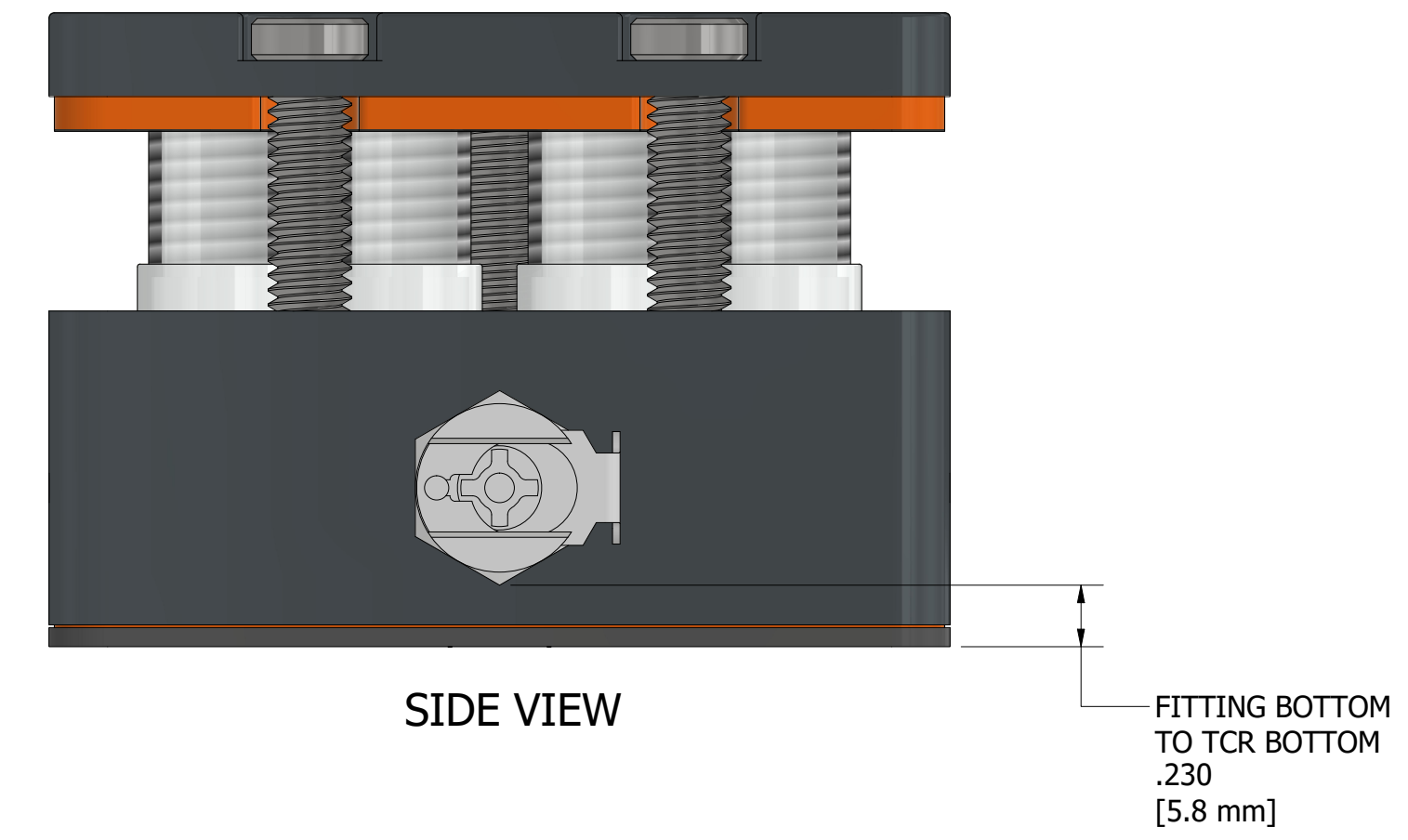
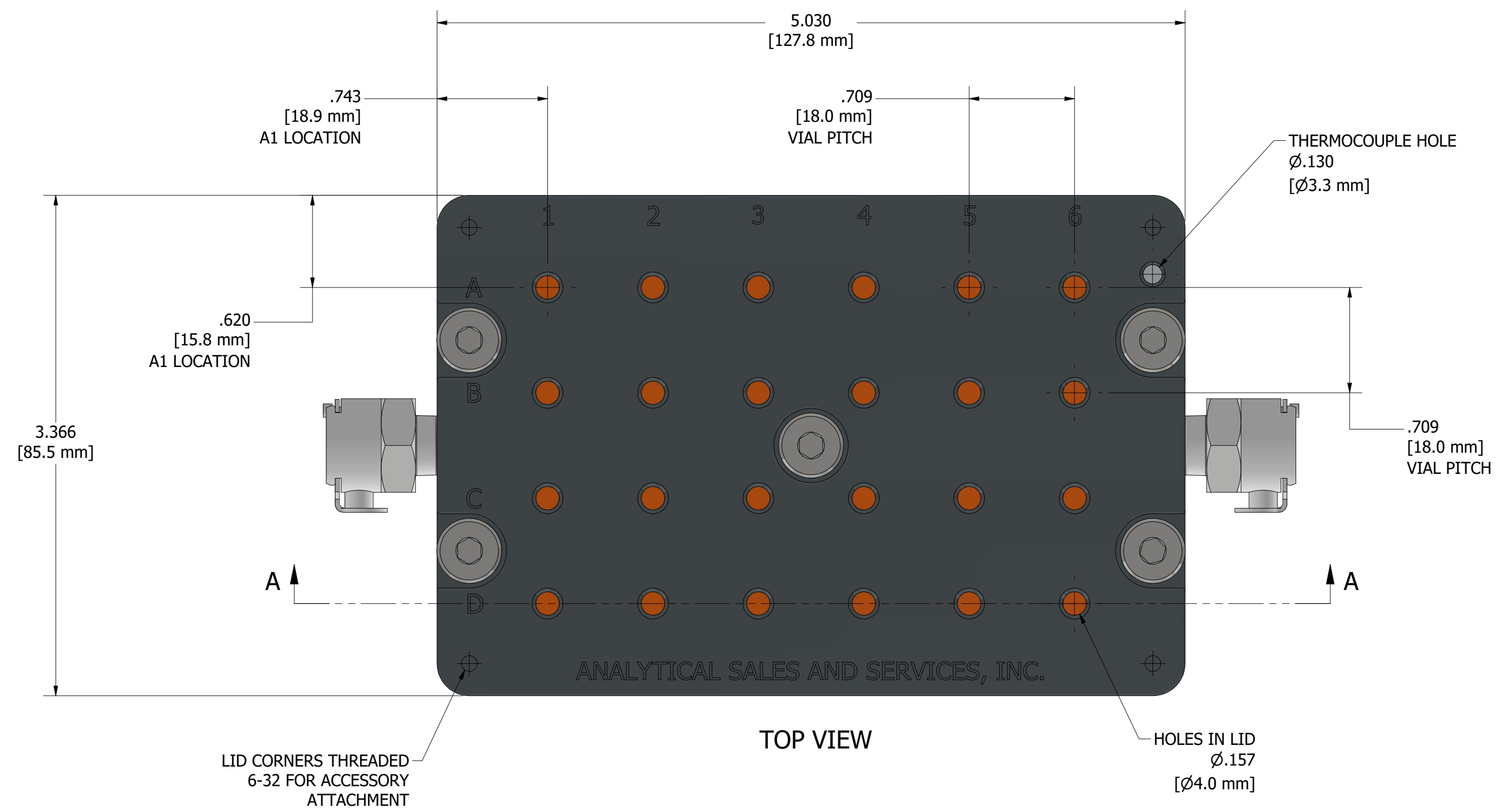


REVISION HISTORY			
REV	DESCRIPTION	DATE	APPROVED
1X	INITIAL RELEASE	6/21/2024	ENGINEERING



DRAWN SAS email engineering@analytical-sales.com	6/21/2024	<b>ANALYTICAL</b> SALES AND SERVICES, INC © 2024	
TITLE		249900_24_well_TCR_rev1x_PUBLIC	
SIZE D			REV 1X
SCALE	3 : 2	SHEET 1 OF 1	

P