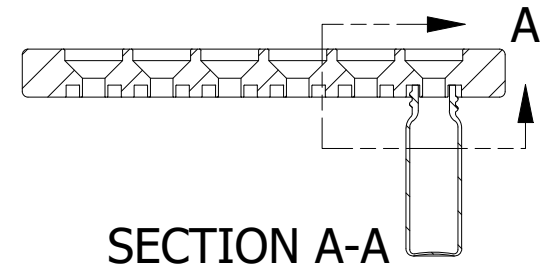
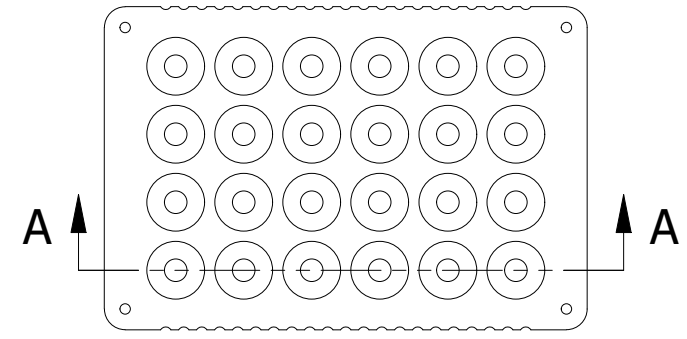
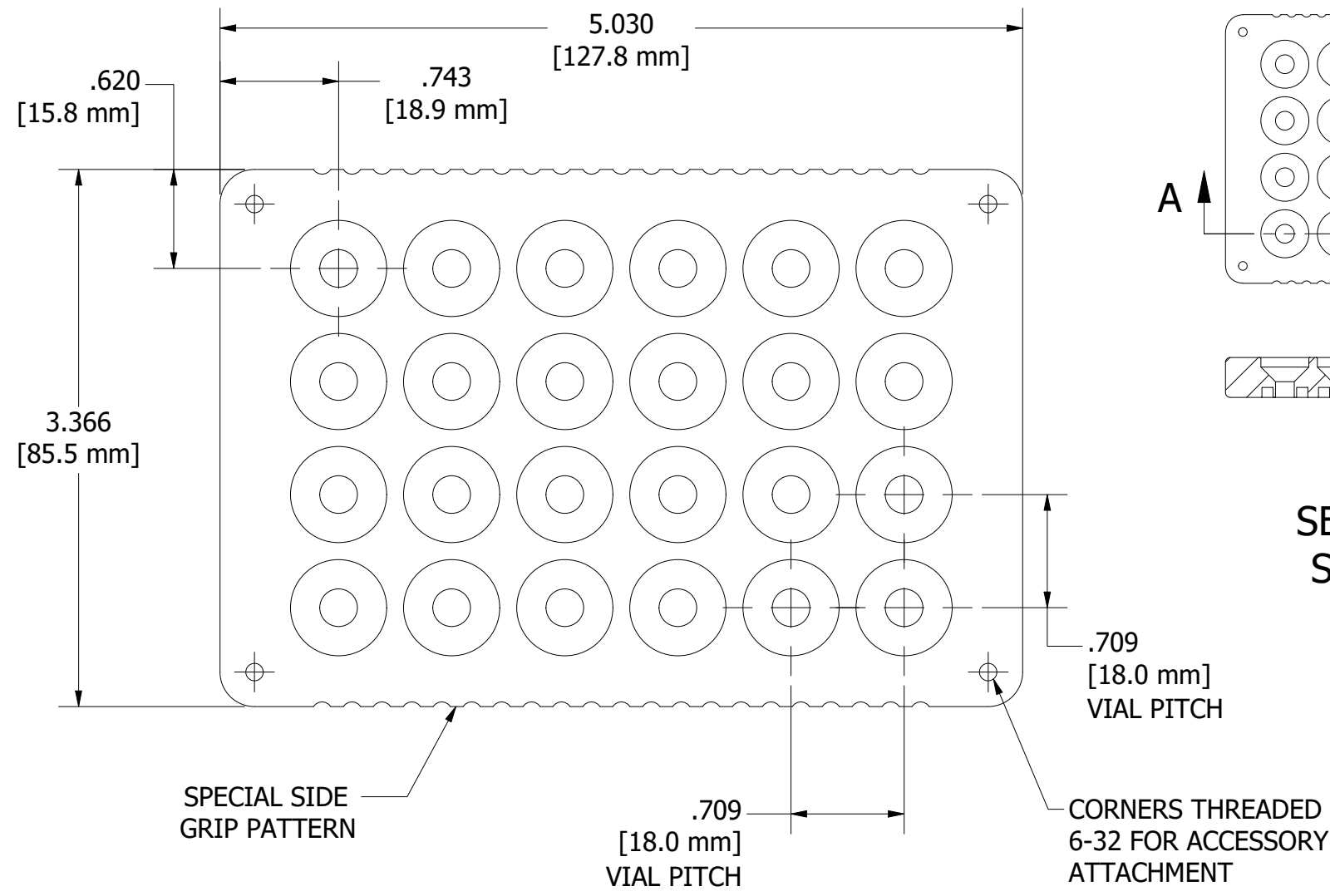
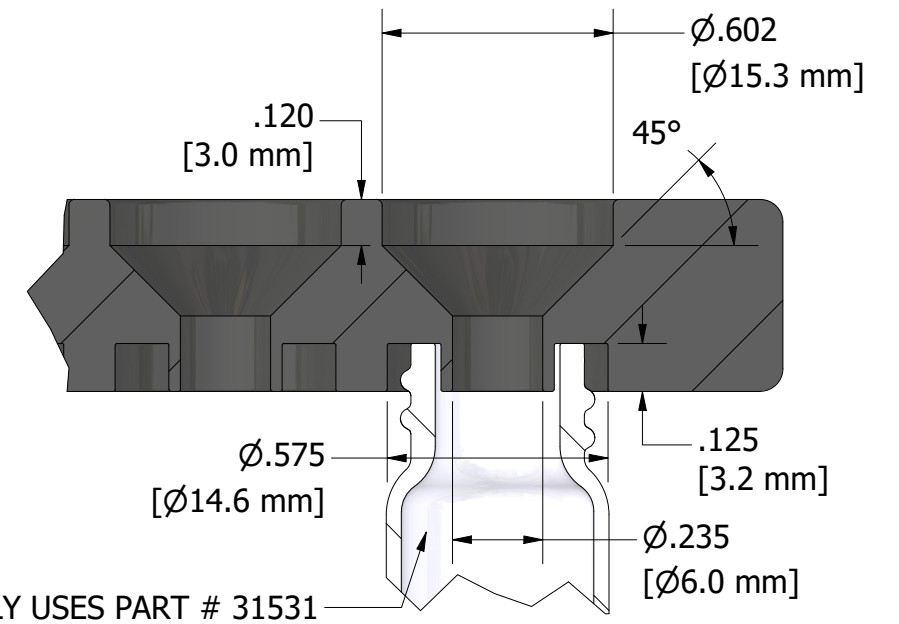


REVISION HISTORY			
REV	DESCRIPTION	DATE	APPROVED
1B	INITIAL RELEASE	4/9/2024	ENGINEERING

NOTES:  
1. MATERIAL: ALUMINUM

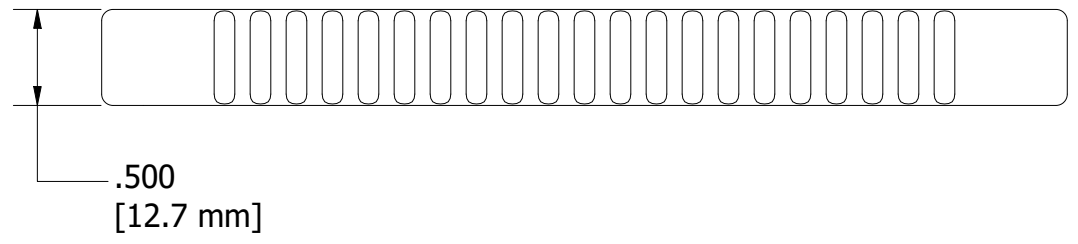


SECTION A-A  
SCALE 1 : 2



TYPICALLY USES PART # 31531  
(15mm X 45mm 4mL Vol. VIALS,  
13mm THREAD)

DETAIL A  
SCALE 2 : 1



DRAWN Sebastian Sosa email engineering@analytical-sales.com	4/9/2024	<b>ANALYTICAL</b> SALES AND SERVICES, INC © 2024	
BREAK ALL EDGES Tolerance (Unless Noted): .XXX = ± .005 .XX = ± .015 Angular ± 2°			
		SIZE B	REV 1B
		SCALE 1 : 1	SHEET 1 OF 1

P