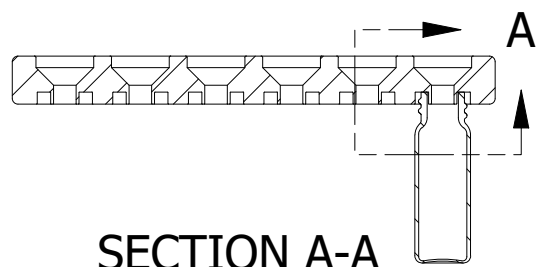
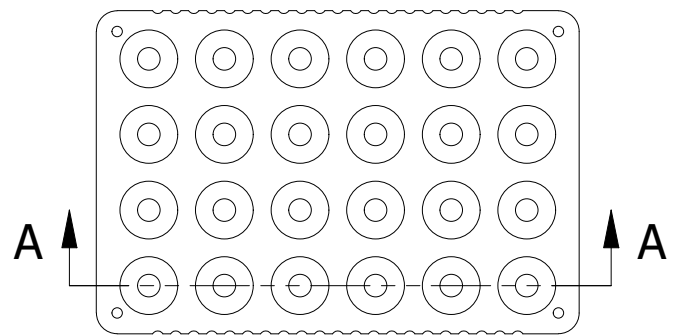
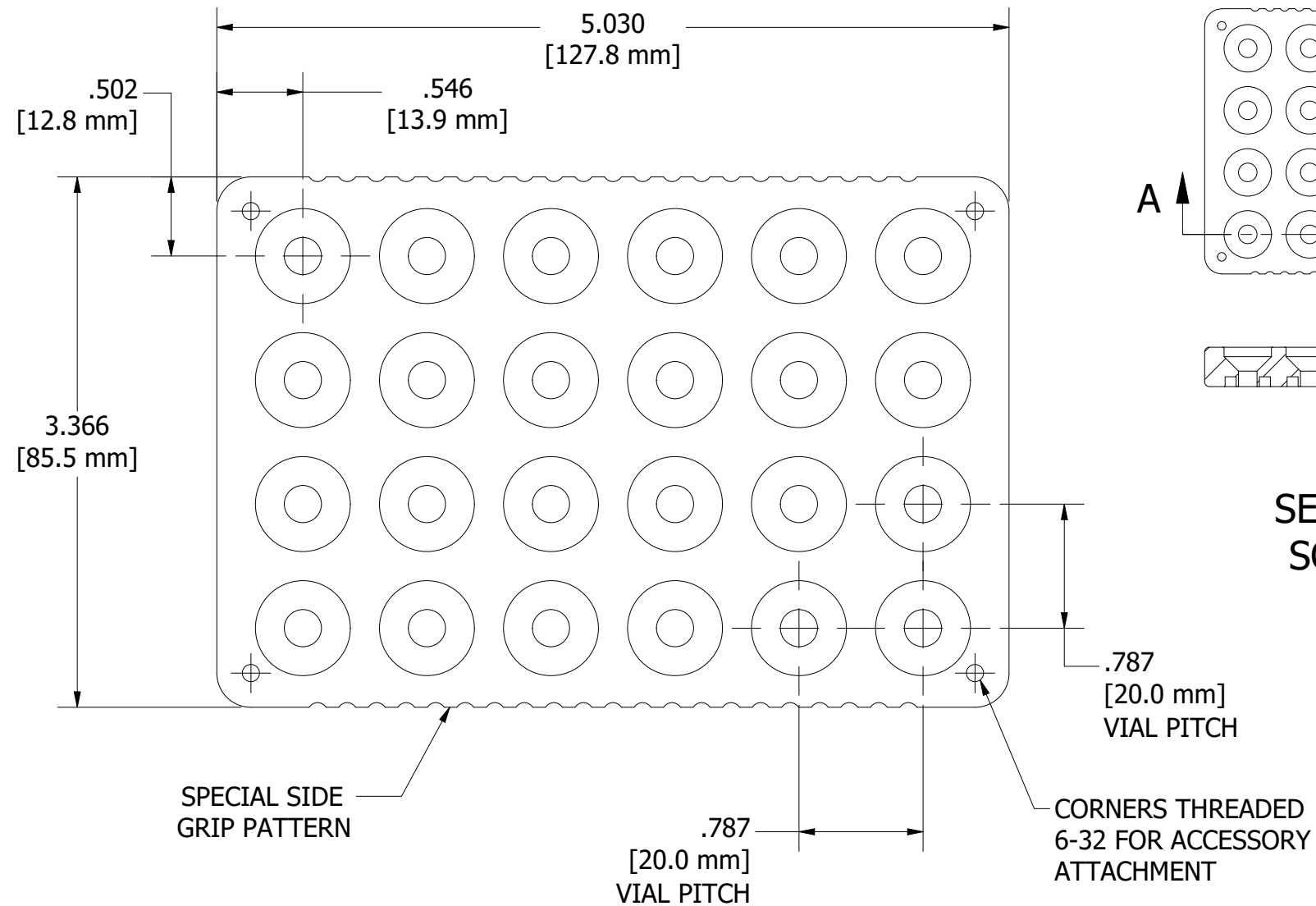


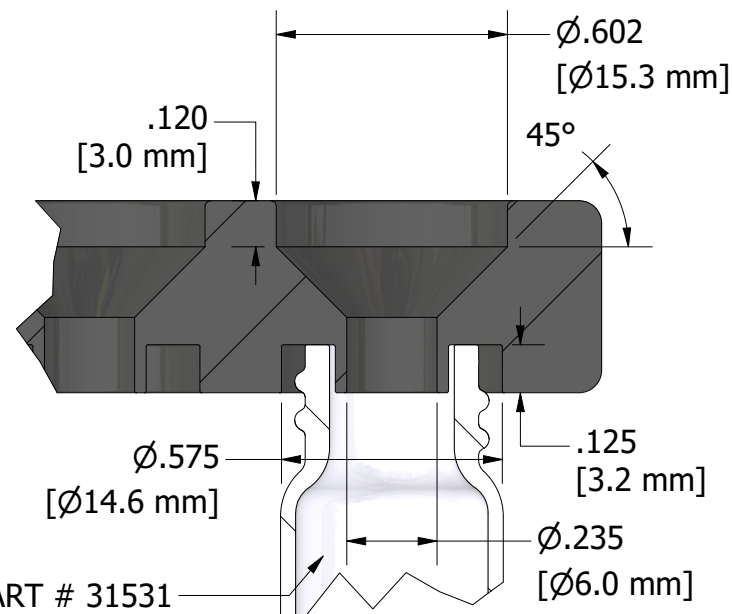
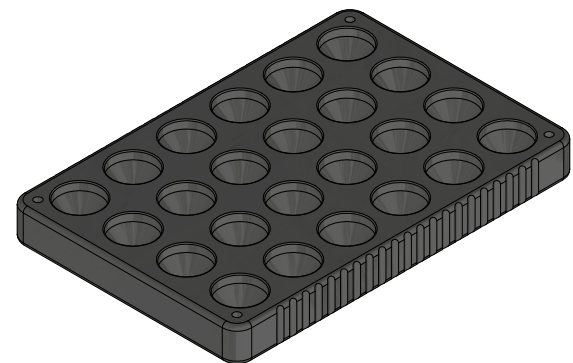
| REVISION HISTORY | | | |
|------------------|-----------------|----------|-------------|
| REV | DESCRIPTION | DATE | APPROVED |
| 1A | INITIAL RELEASE | 4/9/2024 | ENGINEERING |

NOTES:

1. MATERIAL: ALUMINUM

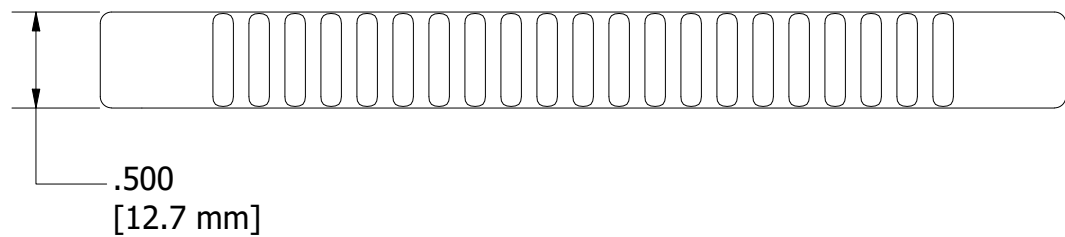


SECTION A-A
SCALE 1 : 2



TYPICALLY USES PART # 31531
(15mm X 45mm 4mL Vol. VIALS,
13mm THREAD)

DETAIL A
SCALE 2 : 1



| | | | |
|--|----------|---|-----------|
| DRAWN Sebastian Sosa email engineering@analytical-sales.com | 4/9/2024 | ANALYTICAL SALES AND SERVICES, INC © 2024 | |
| TOLERANCE (UNLESS NOTED): | | | |
| BREAK ALL EDGES | | TITLE 24T101_powder_transfer_plate_rev1a_PUBLIC | |
| .XXX = ± .005 | | SIZE B | REV 1A |
| .XX = ± .015 | | SCALE 1 : 1 | |
| Angular ± 2° | | SHEET 1 OF 1 | |

P