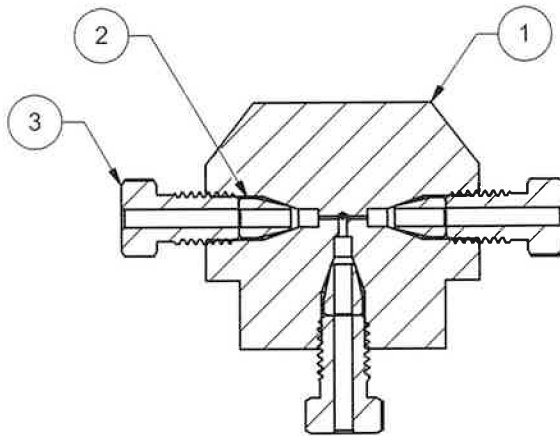
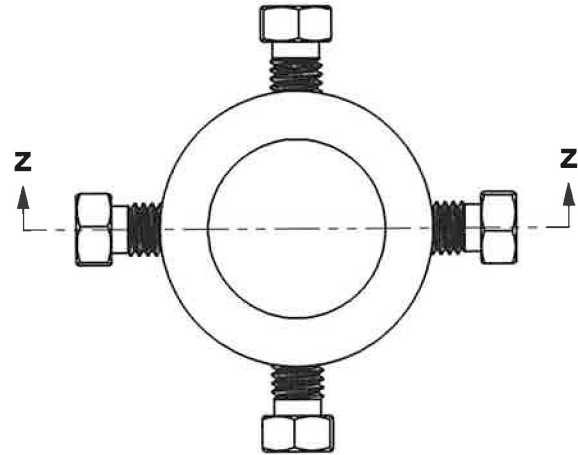
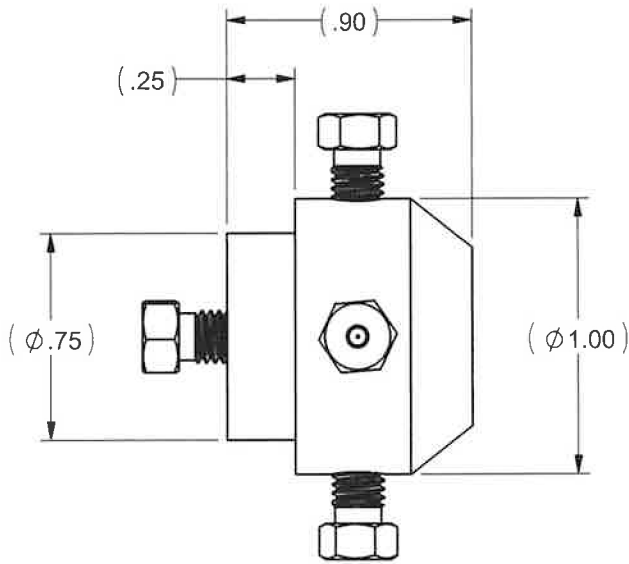


2

1

MANUFACTURE TO CURRENT RoHS SPECS



SECTION Z-Z

| ITEM NO. | PART NUMBER | DESCRIPTION | QTY |
|----------|-------------|--|-----|
| 1 | 2575 | BODY MANIFOLD 4 IN 1 OUT 1/16 .010 .030 N6 | 1 |
| 2 | ADV-VF | FERRULE ZDV 1/16 316SS | 5 |
| 3 | 1532X | NUT 1/16 ZERO VOLUME | 5 |

THIS DOCUMENT AND THE INFORMATION WHICH IT CONTAINS SHALL NOT BE USED, EXPLOITED OR SOLD, AND SHALL NOT BE REVEALED OR DISCLOSED TO OTHERS WITHOUT THE EXPRESSED WRITTEN PERMISSION OF ANALYTICAL SALES AND SERVICES, INC.

| | | | |
|------------------|------------------|----------|-----------|
| PDM Status: | | Released | |
| Coating | Drawn By: | Date | 7/05/17 |
| Weight | Checked By: | Date | 07/19/23 |
| SIZE A | Approved By: | Date | 7/19/2023 |
| | Entered into SAP | Date | 07/21/23 |



Analytical Sales and Services, Inc.
179 Rt 206, Flanders, NJ 07836
973-616-0700
www.analytical-sales.com

| | | | |
|--|-----------------------------|---------------------|--|
| Description ASSY MANIFOLD 4 IN 1 OUT 1/16 .010 .030 N6 | | Material SEE BOM | |
| Drawing No. | | REV. L | |
| 3rd Angle Projection | DO NOT SCALE SCALE:1.5:1 | SHEET 1 OF 1 | |

2

1