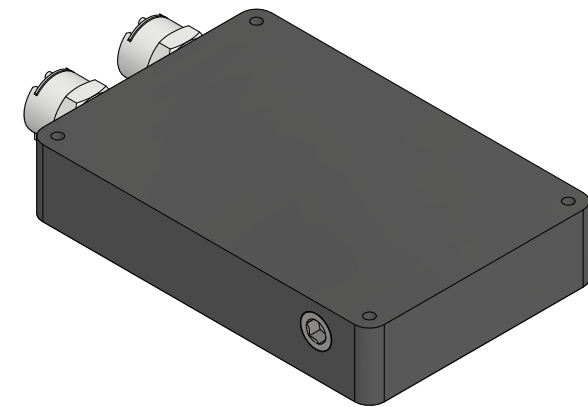
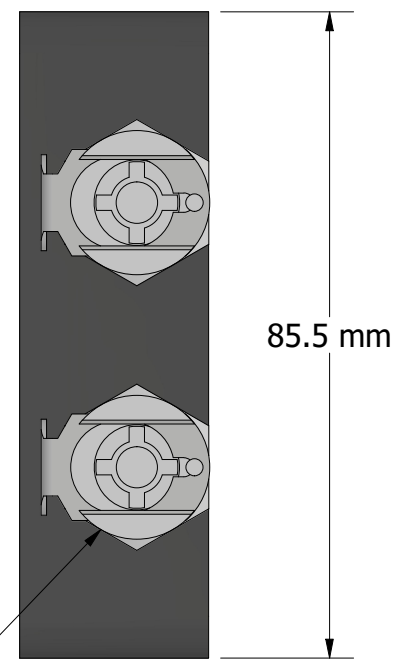
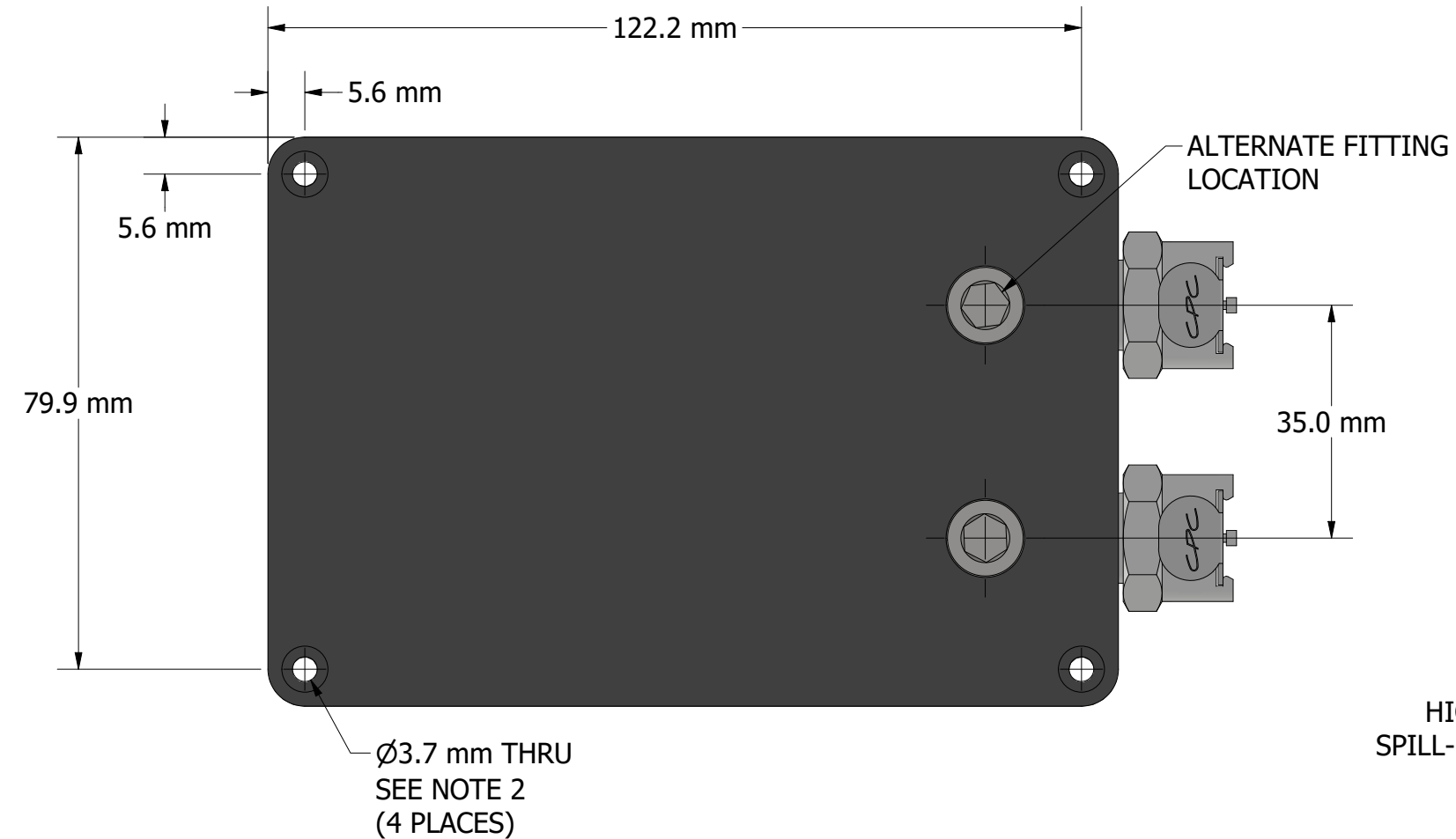


NOTES:

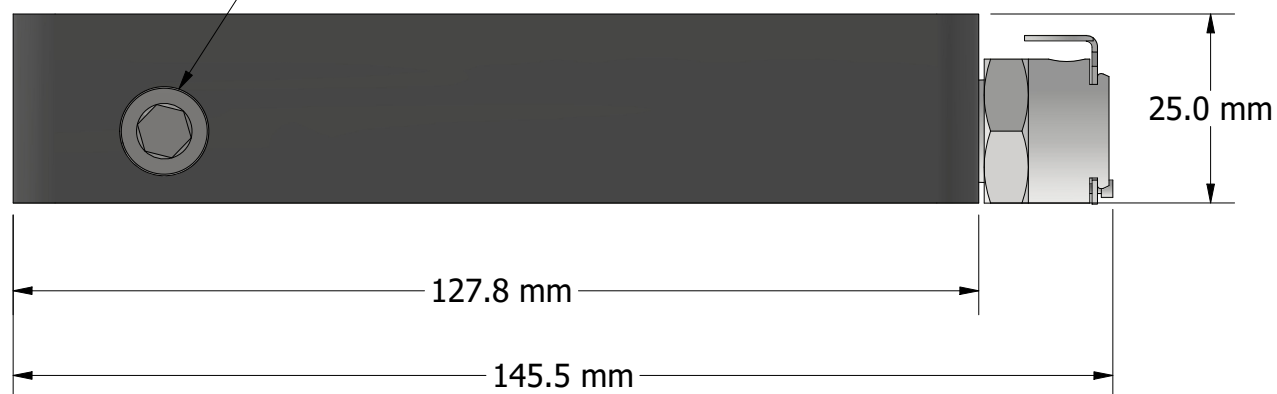
1. MASS: 772.5 g
2. COMPATIBLE WITH ANALYTICAL SALES AND SERVICES PRODUCTS;
ATTACH TO LUMIDOX SOLID BASE ARRAYS, GEN II REACTORS, ETC;
USE QTY 4, 4-40 X 1.125" LONG SCREWS

REVISION HISTORY			
REV	DESCRIPTION	DATE	APPROVED
2C	INITIAL RELEASE	1/14/2022	ENGINEERING
2D	ADDED HOLE SPACING DIMENSIONS	2/10/2025	ENGINEERING



HIGH-END VALVED
SPILL-PROOF FITTINGS

PERMANENT FITTING LOCATION
(NOT TO BE REMOVED)



DRAWN Engineering email engineering@analytical-sales.com	1/14/2022	ANALYTICAL SALES AND SERVICES, INC © 2025	
TITLE			
266540_TTD_plus_rev2d_P		SIZE B	REV 2D
SCALE 1 : 1		SHEET 1 OF 1	

P