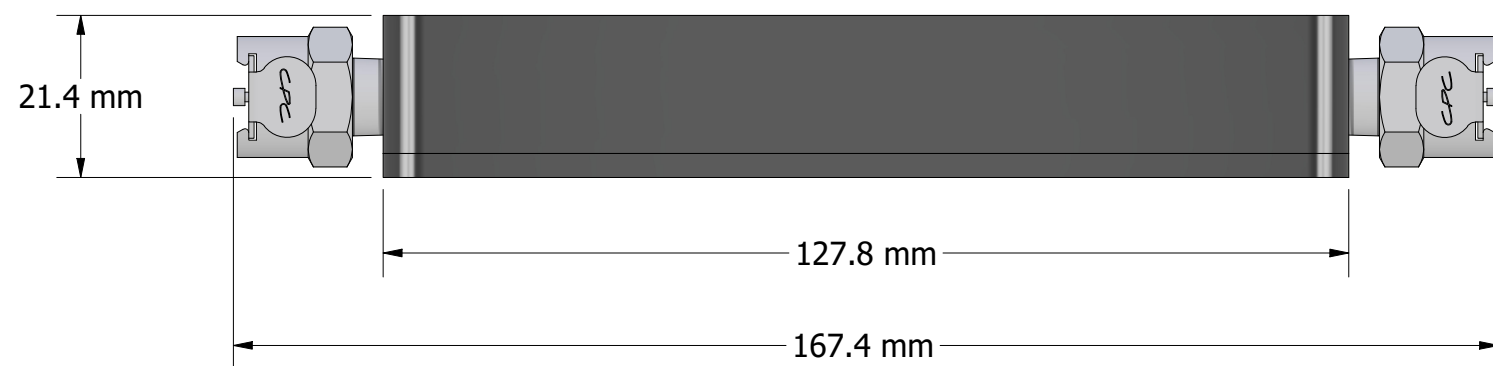
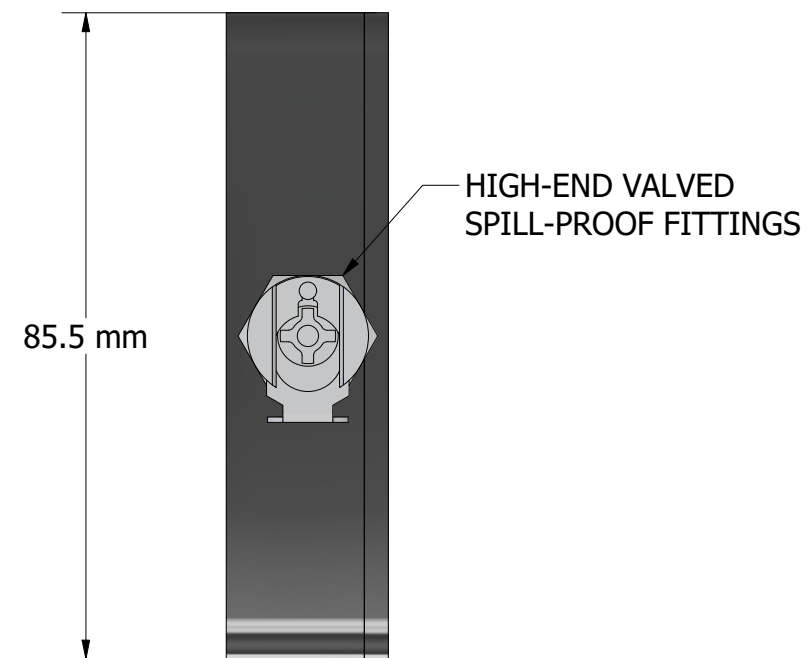
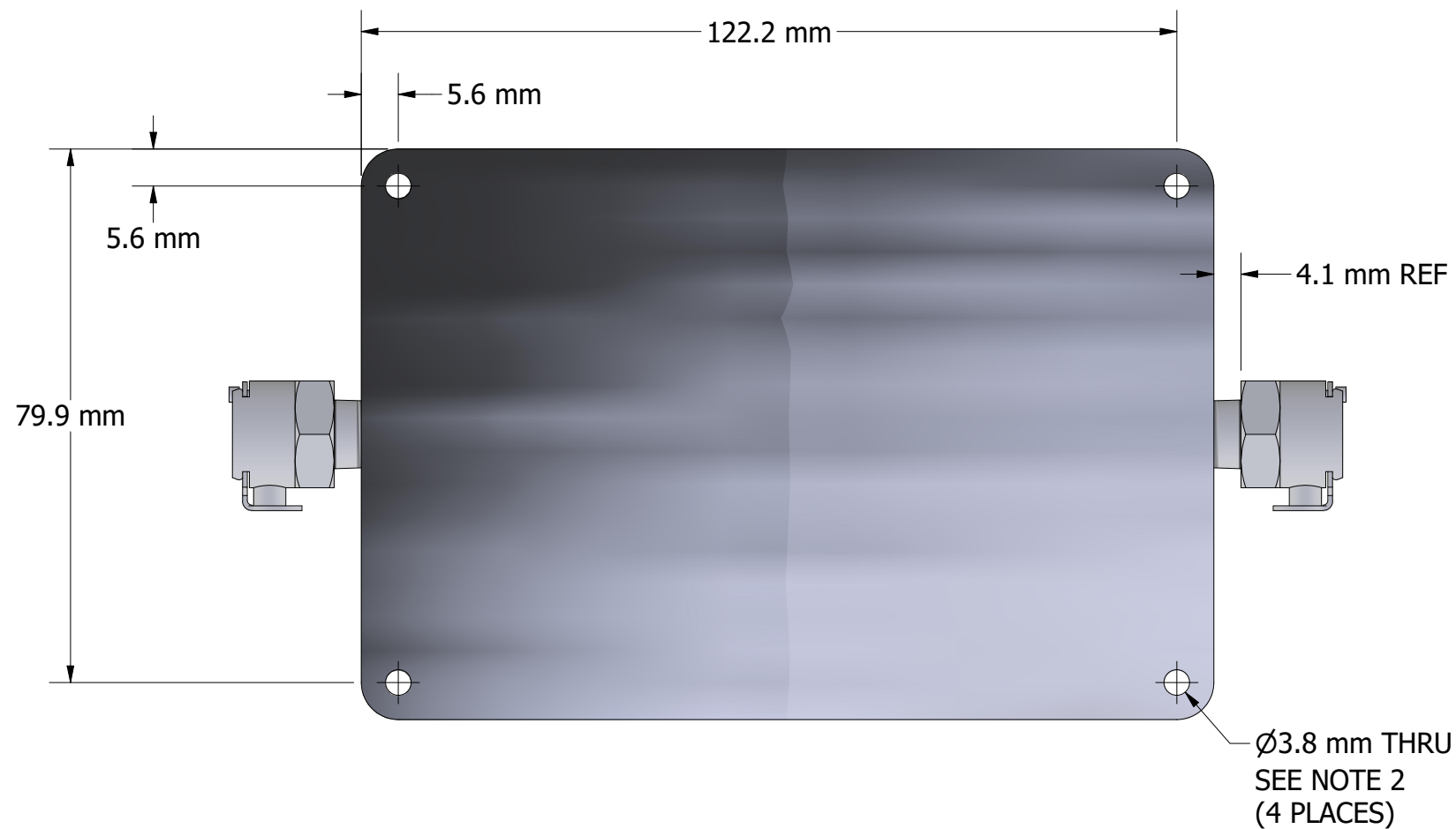


NOTES:

1. MASS: 575.7 g
2. COMPATIBLE WITH ANALYTICAL SALES AND SERVICES PRODUCTS;
ATTACH TO LUMIDOX SOLID BASE ARRAYS, GEN II REACTORS, ETC;
USE QTY 4, 4-40 X 1.125" LONG SCREWS

REVISION HISTORY			
REV	DESCRIPTION	DATE	APPROVED
5C	INITIAL RELEASE	2/11/2025	ENGINEERING



DRAWN Engineering email engineering@analytical-sales.com	2/11/2025	ANALYTICAL SALES AND SERVICES, INC © 2025	
		TITLE	
		266550_inline_TTD_rev5c_P	
		SIZE B	REV 5C
		SCALE 1 : 1	SHEET 1 OF 1

P