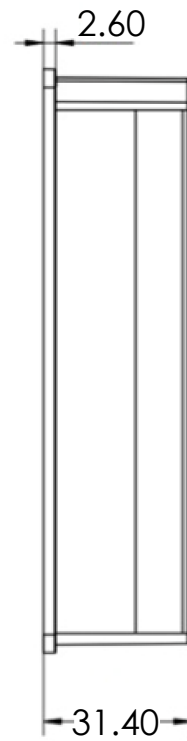
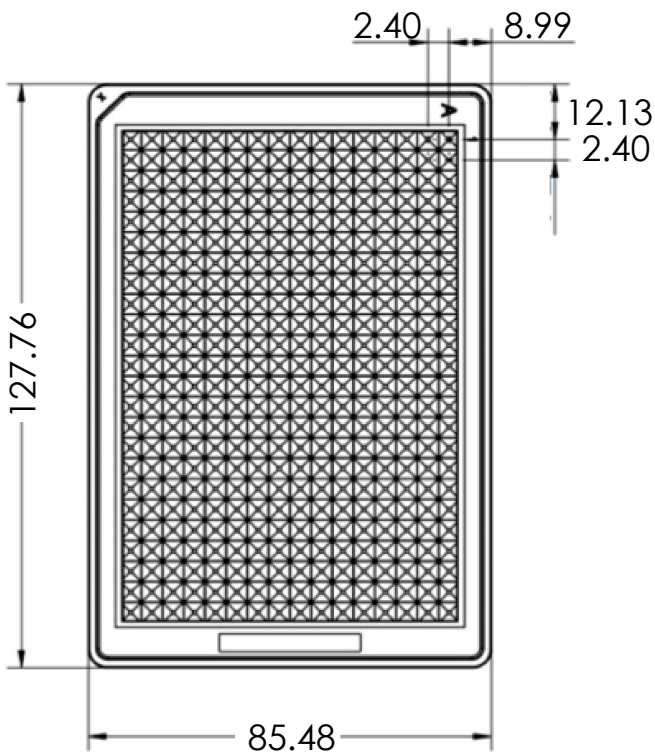
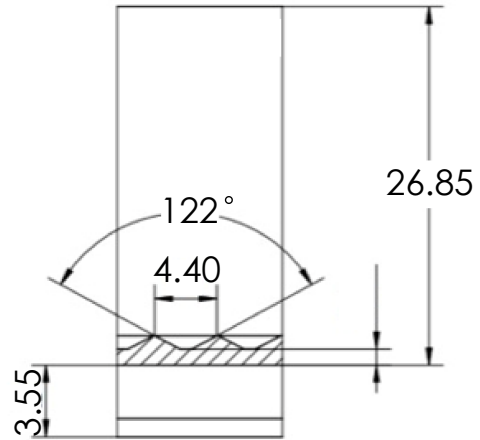
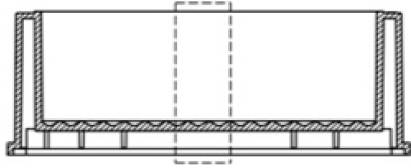



CONFIDENTIAL



THIS DRAWING CONTAINS CONFIDENTIAL INFORMATION AND MAY NOT BE REPRODUCED IN WHOLE OR IN PART IN THE ABSENCE OF WRITTEN AUTHORIZATION BY ANALYTICAL SALES AND SERVICES, INC.

UNITS
0.00 mm

FORMAT

0	09/	FOR APPROVAL	INI
	DATE	DESCRIPTION	BY
TITLE: REAGENT RESERVOIR, 384 WELLS, 185 ml			
 analytical		179 Route 206 Flanders, NJ 07836 Phone: 973-616-0700 Email: info@analytical-sales.com Website: www.analytical-sales.com	
MATERIAL: POLYPROPYLENE			
BY:		SCALE: N.T.S.	
APP.:		DATE: 2022-01-31	
DRAWING:		PAGE: 1 / 1	REV.: 0