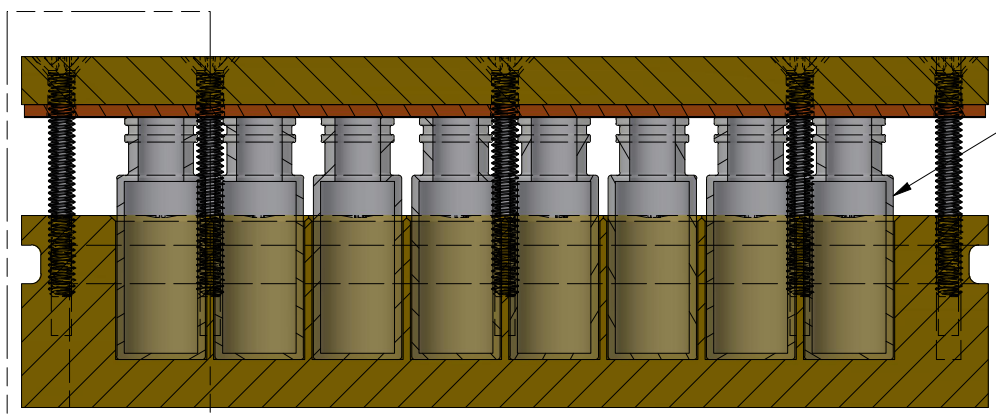
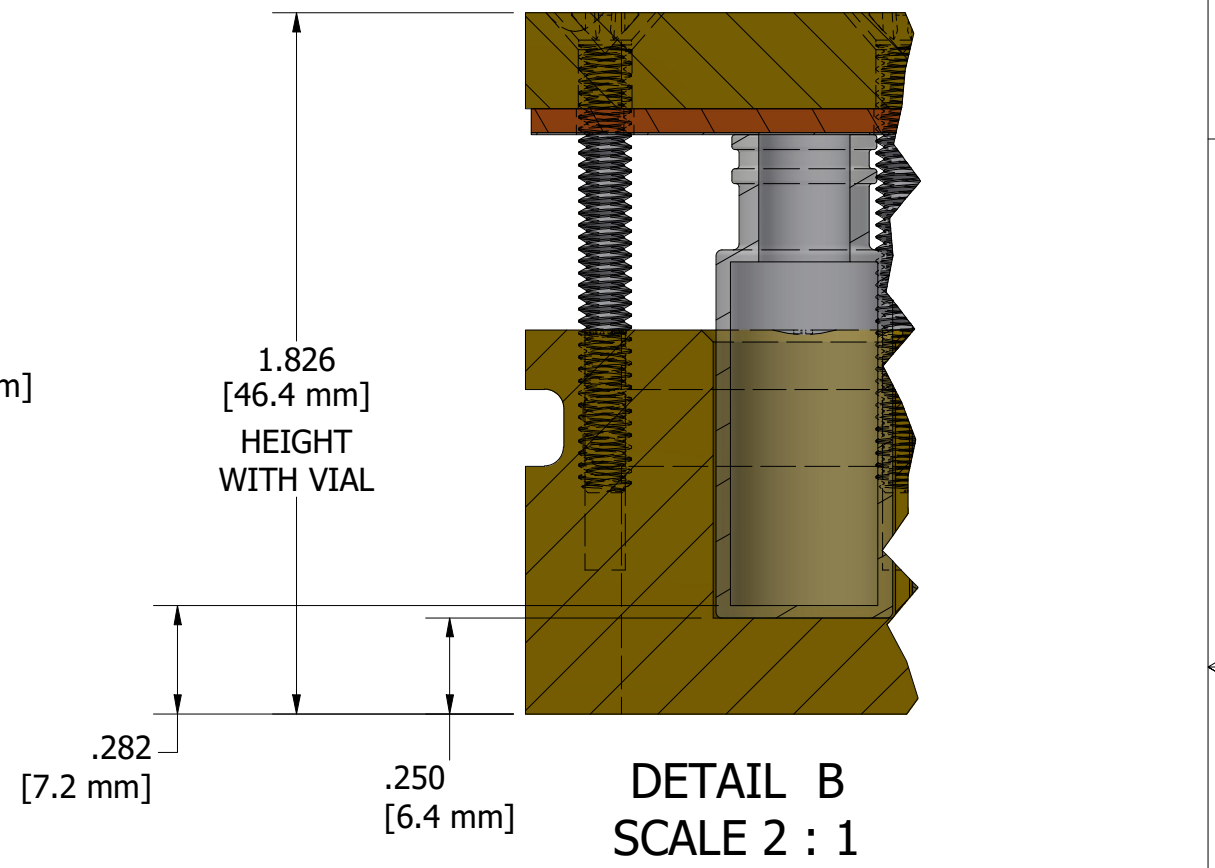


REVISION HISTORY			
REV	DESCRIPTION	DATE	APPROVED
1B	INITIAL RELEASE	1/19/2022	ENGINEERING
1C	ADDED DIMENSIONS	8/14/2024	ENGINEERING



DRAWN Jabari Mallory email engineering@analytical-sales.com	1/19/2022	<b>ANALYTICAL</b> SALES AND SERVICES, INC © 2024	
TOLERANCE (UNLESS NOTED): .XXX = ± .005 .XX = ± .015 Angular ± 2°			
		SIZE B	REV 1C
		SCALE 1 : 1	SHEET 1 OF 1

P