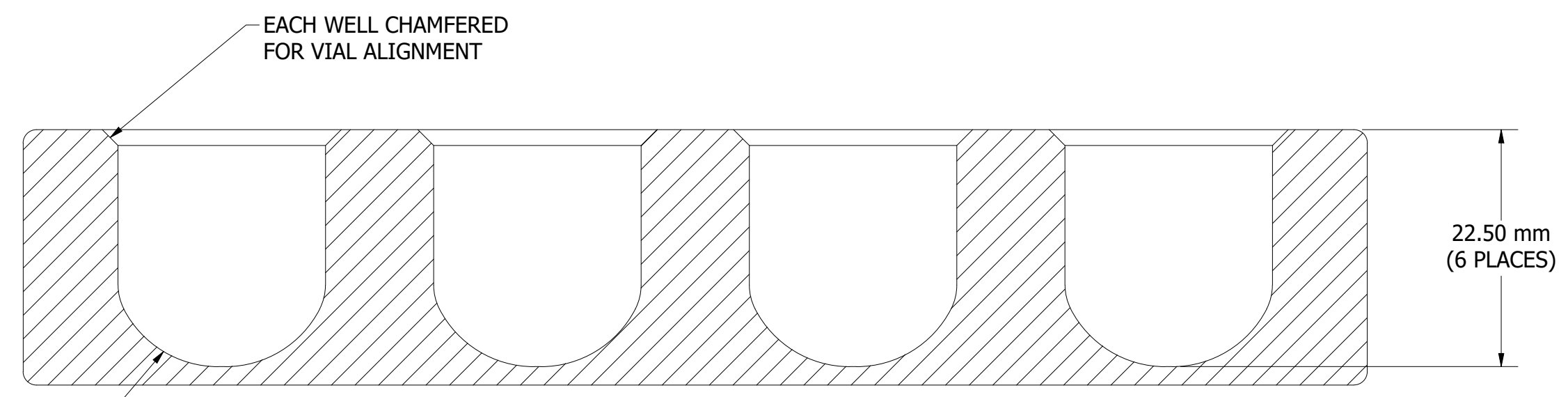
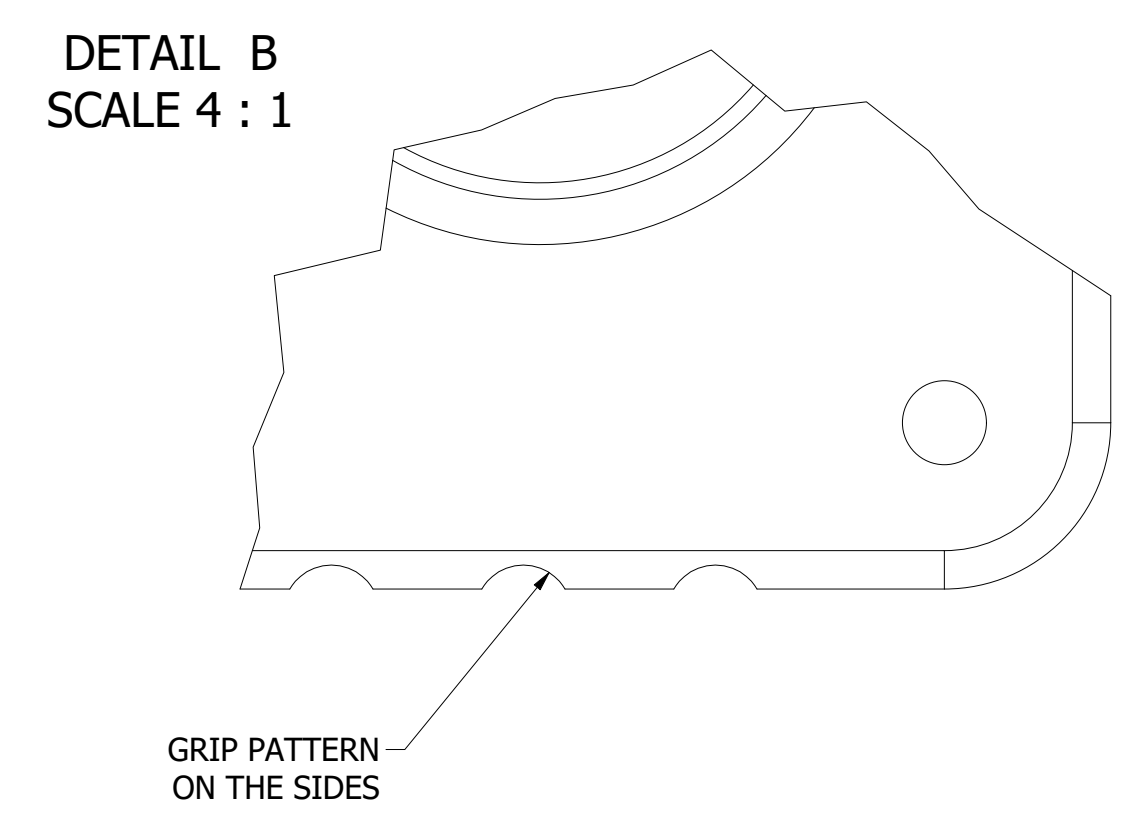
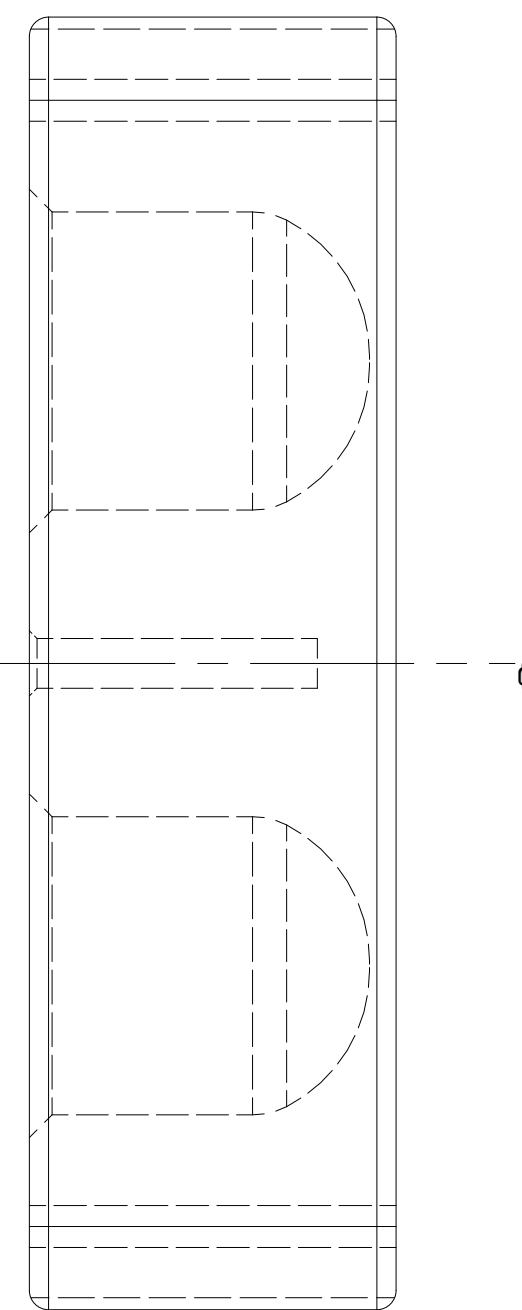
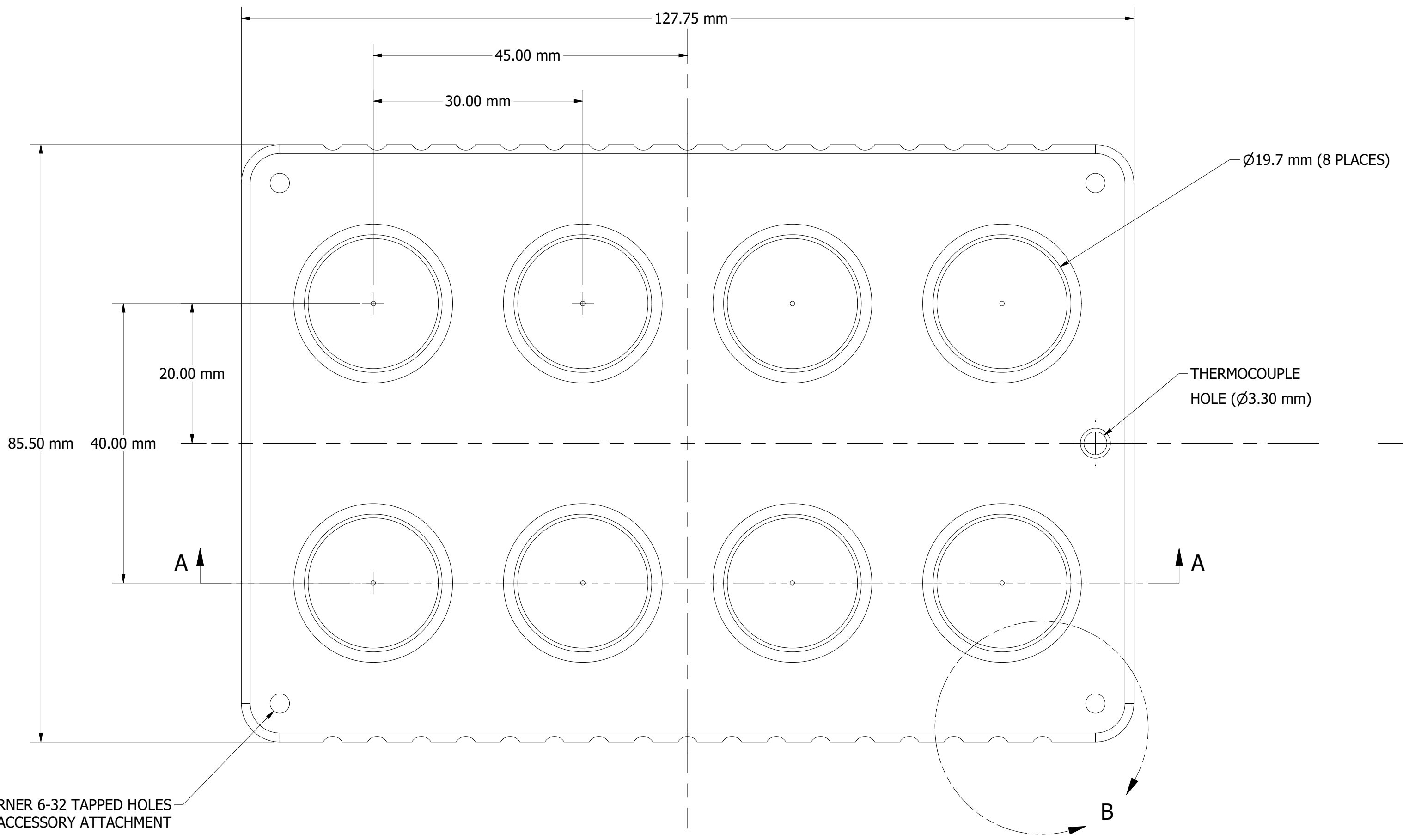
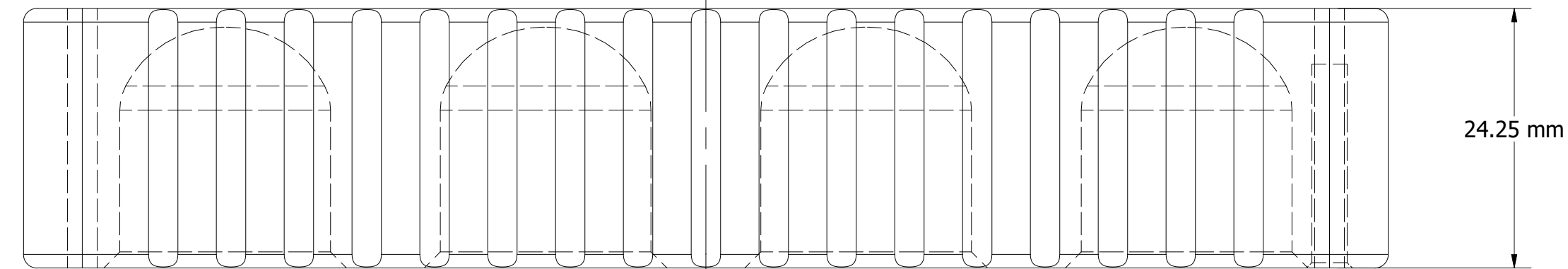
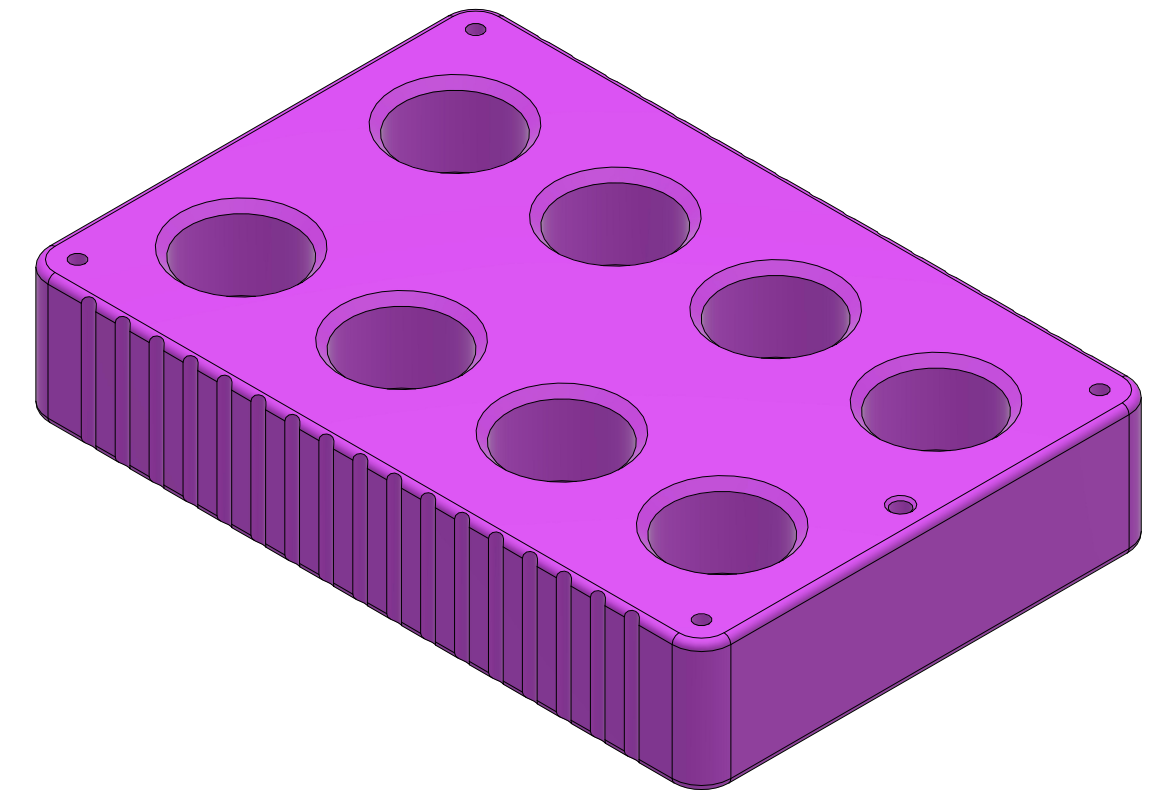


16 15 14 13 12 11 10 9 8 7 6 5 4 3 2 1

- NOTES:
 1. ALL DIMENSIONS IN MILLIMETERS
 2. MATERIAL: PURPLE ANODIZED ALUMINUM

REVISION HISTORY			
REV	DESCRIPTION	DATE	APPROVED
1A	INITIAL RELEASE	10/3/2024	ENGINEERING
1B	REDUCED WELL DIAMETER	12/20/2024	ENGINEERING



WELL GEOMETRY COMPATIBLE WITH:
 COVARIS 500381 (8-POS 19x38 mm) RACK
 COVARIS 520089 (19x38 mm, 8mL) VIALS

SECTION A-A
SCALE 2 : 1

P

DRAWN Matt Dabrowski email engineering@analytical-sales.com	10/3/2024	ANALYTICAL SALES & SERVICES, INC © 2024	
		TITLE 961935_rev1b_PUBLIC	
SIZE D			REV 1B
SCALE 2 : 1		SHEET 1 of 1	

16 15 14 13 12 11 10 9 8 7 6 5 4 3 2 1