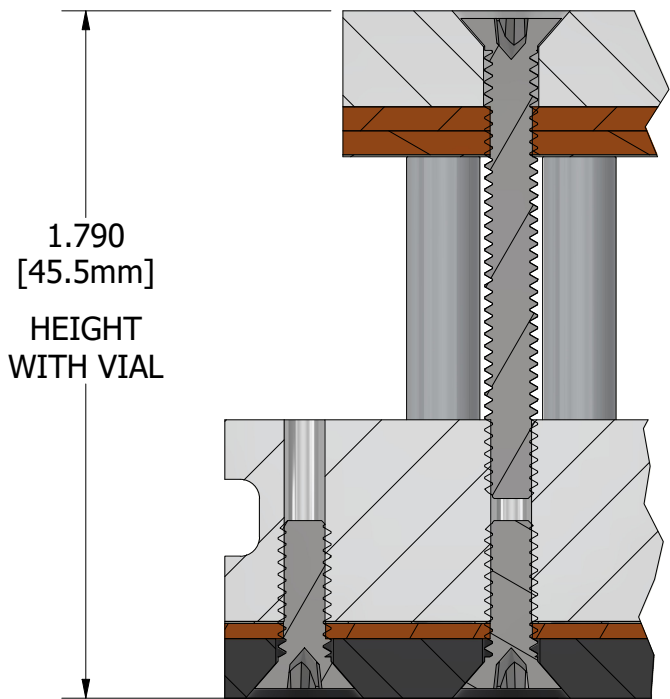
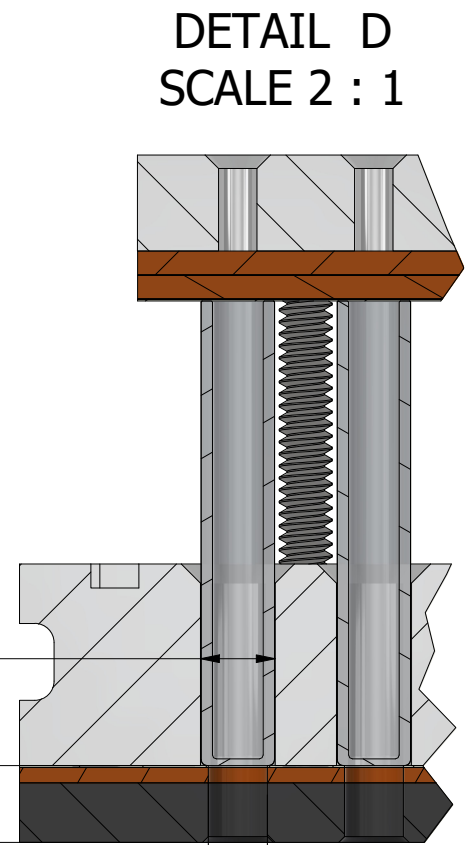


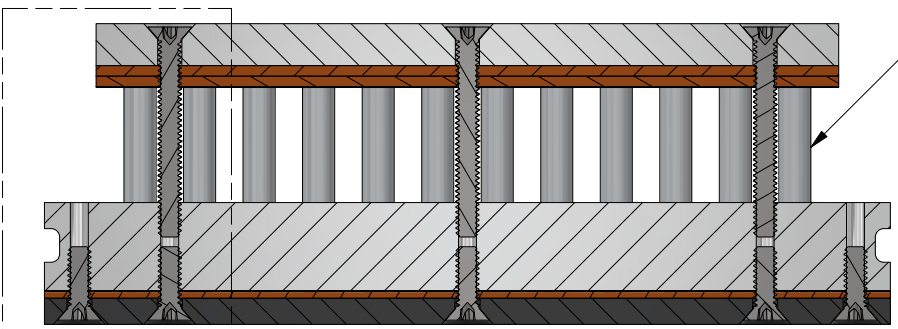
REVISION HISTORY			
REV	DESCRIPTION	DATE	APPROVED
1A	INITIAL RELEASE	06/09/2023	ENGINEERING
1B	REDUCED BOTTOM PLATE THICKNESS	06/20/2023	ENGINEERING
1C	REMOVED BOTTOM COUNTERBORES	03/05/2024	ENGINEERING



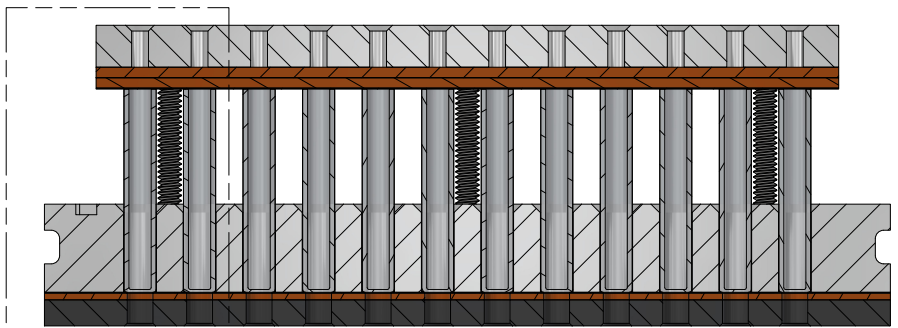
DETAIL B
SCALE 2 : 1



DETAIL D
SCALE 2 : 1



USES PART # 20303
(5 x 31 mm VIALS)
CAN ALSO BE USED
WITH PART # 10421
(4 x 21 mm VIALS)
W/ SHORTER SCREWS



DRAWN MD	06/09/2023	ANALYTICAL SALES & SERVICES, INC © 2024	
TITLE			
961970_rev1c_PUBLIC		SIZE B	REV 1C
SCALE 7 : 8		SHEET 1 OF 1	

P