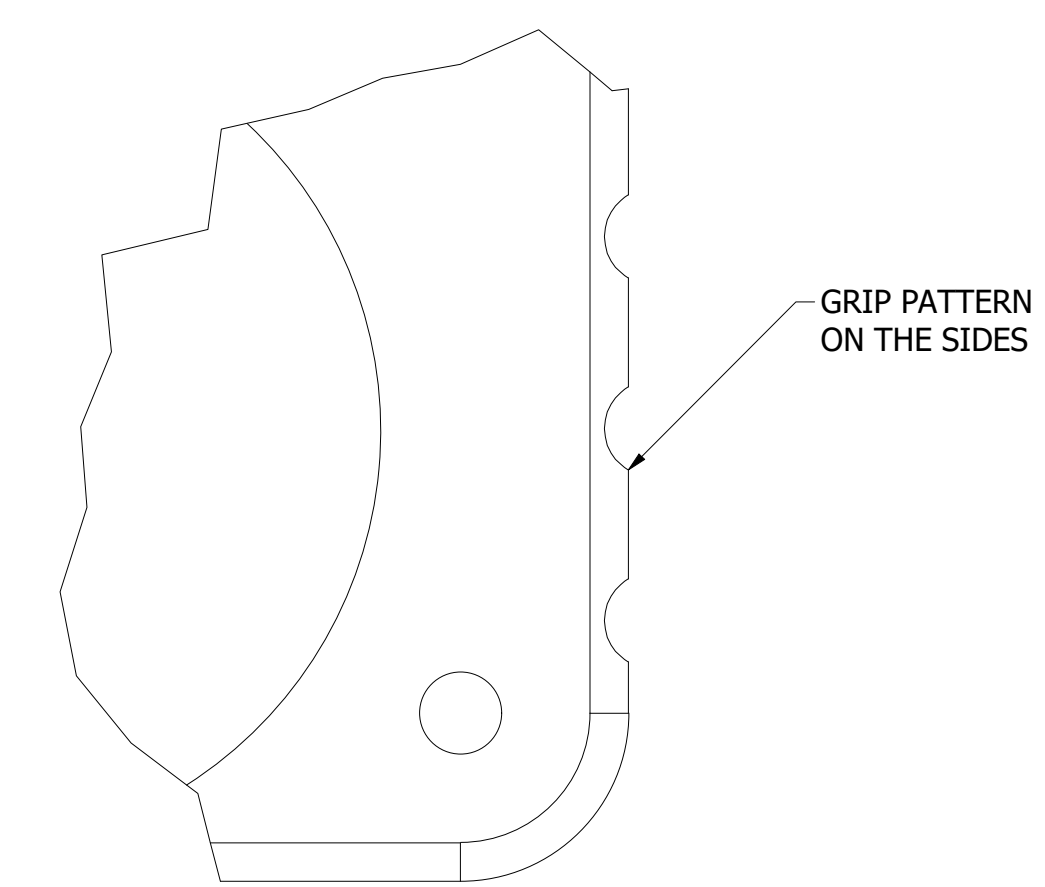
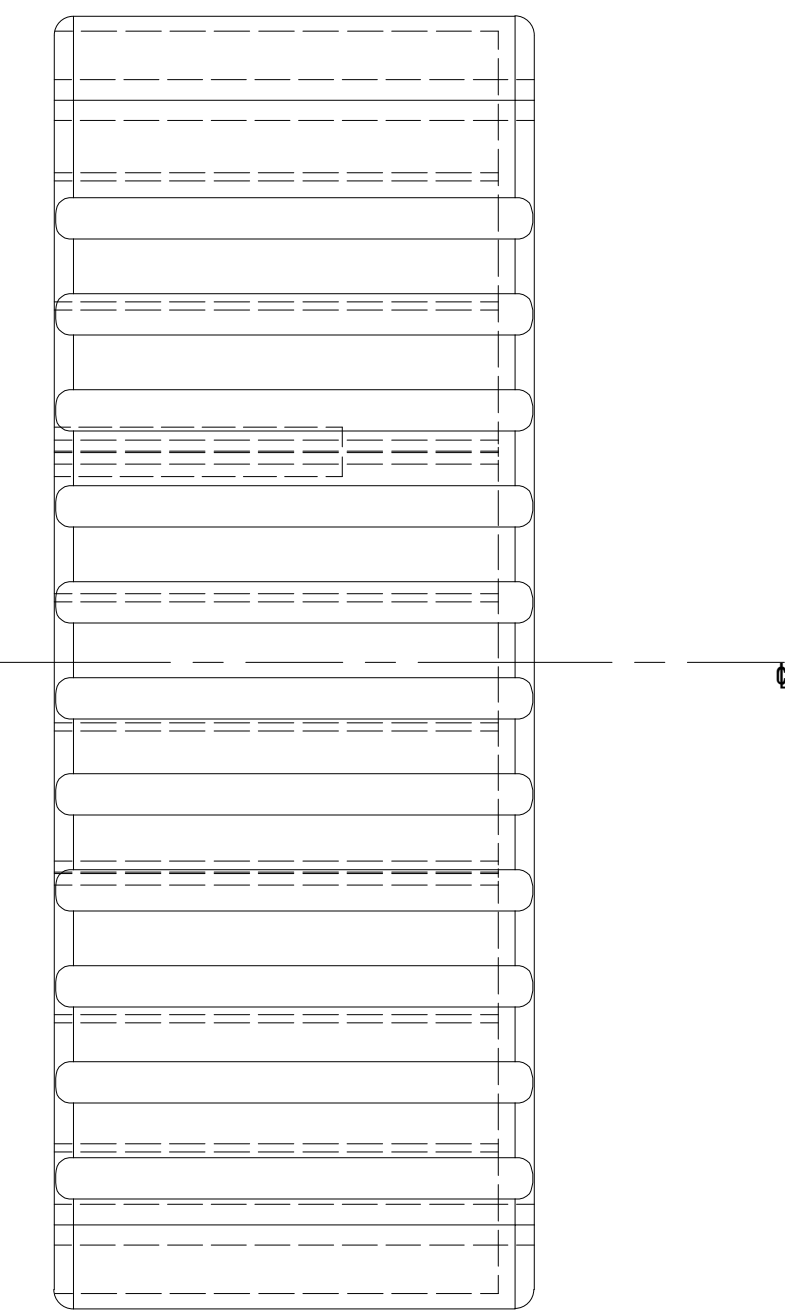
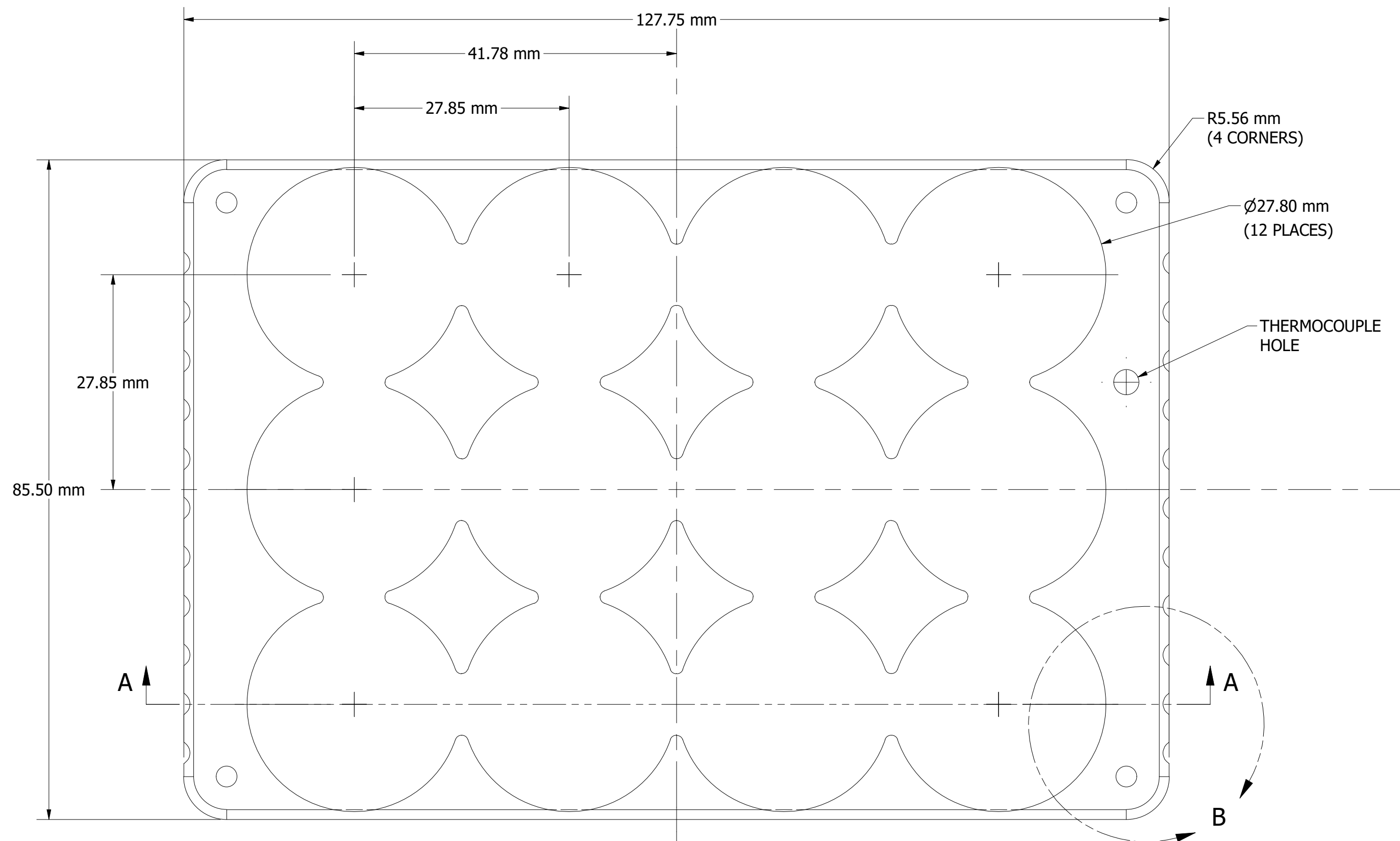
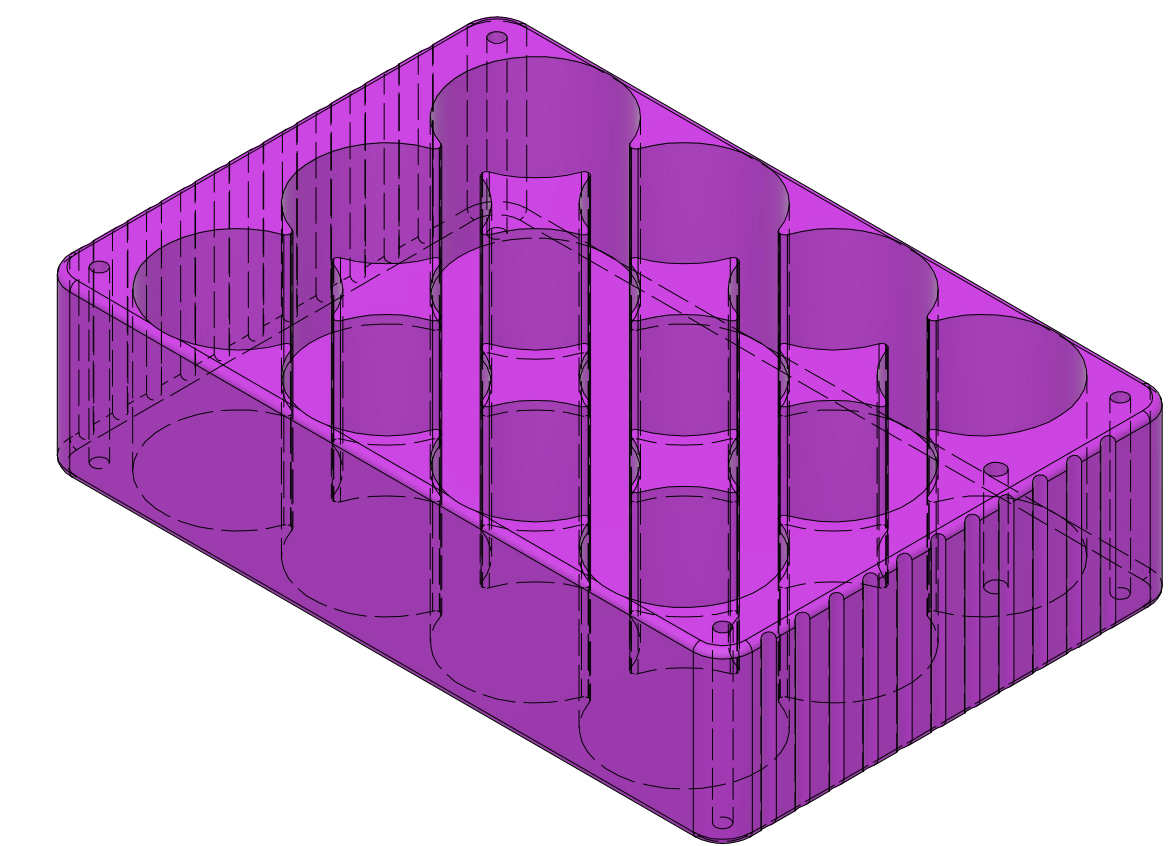
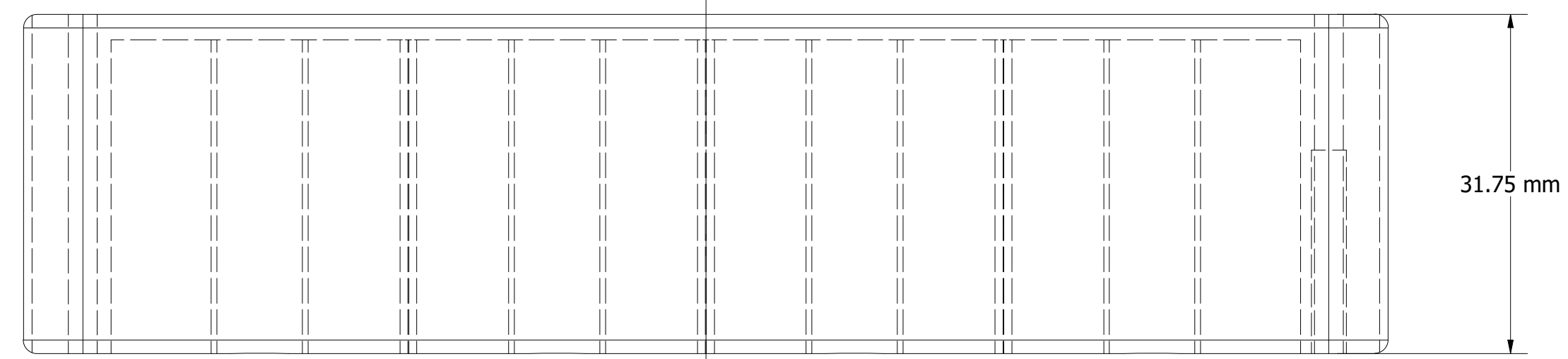
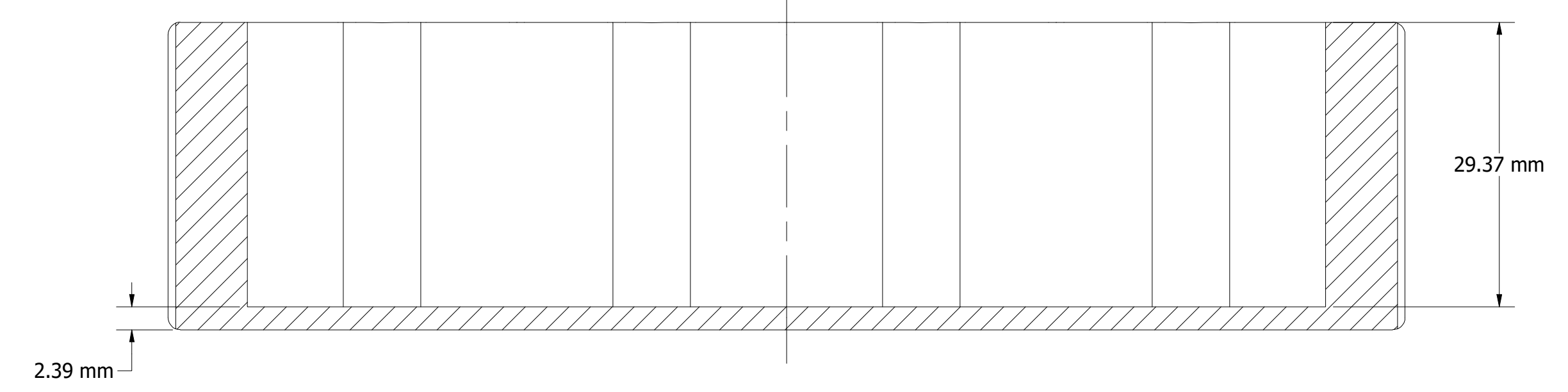


- NOTES:
 1. ALL DIMENSIONS IN MILLIMETERS
 2. MATERIAL: PURPLE ANODIZED ALUMINUM

REVISION HISTORY			
REV	DESCRIPTION	DATE	APPROVED
1A	INITIAL RELEASE	7/2/2020	ENGINEERING
1B	UPDATED RELEASE	7/2/2020	ENGINEERING
1C	ADDED 6-32 THREADS	7/10/2020	ENGINEERING
1D	ADDED DIMENSIONS	8/14/2024	ENGINEERING



DETAIL B
SCALE 4 : 1



SECTION A-A
SCALE 2 : 1

P

DRAWN Matt Dabrowski email engineering@analytical-sales.com		7/2/2020	ANALYTICAL SALES & SERVICES, INC © 2024	
TITLE				
			962760_rev1d_PUBLIC	
SIZE	D			REV 1D
SCALE	2 : 1			SHEET 1 of 1