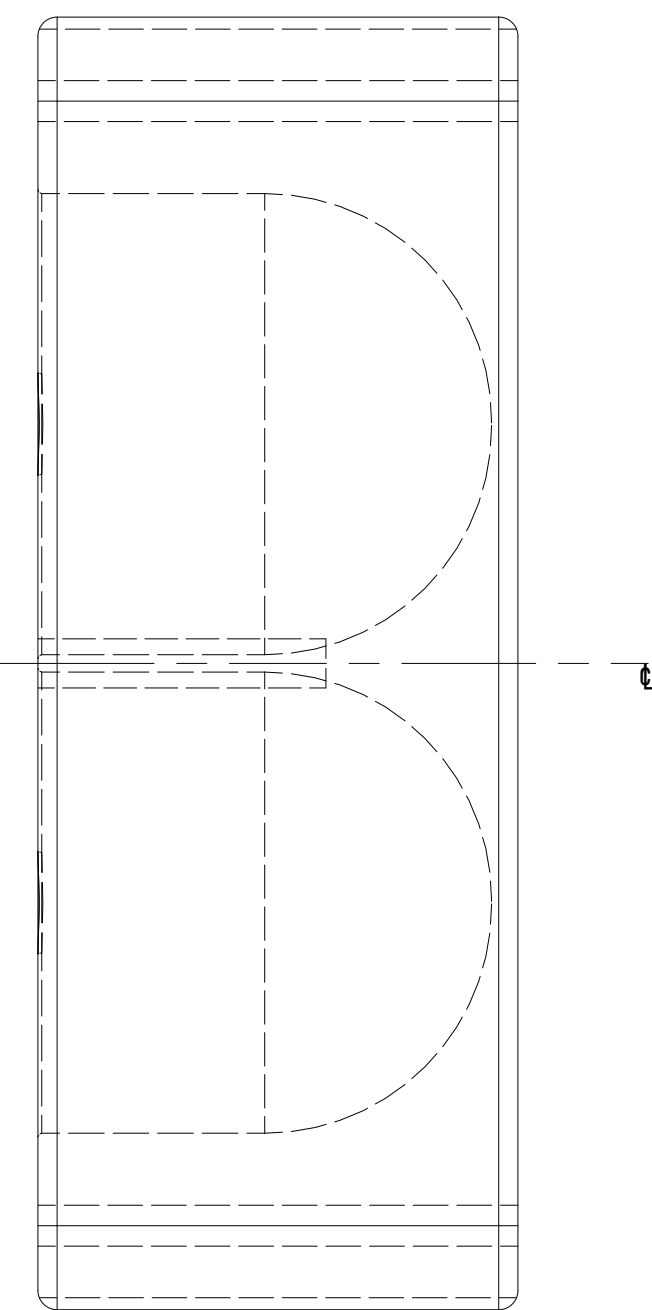
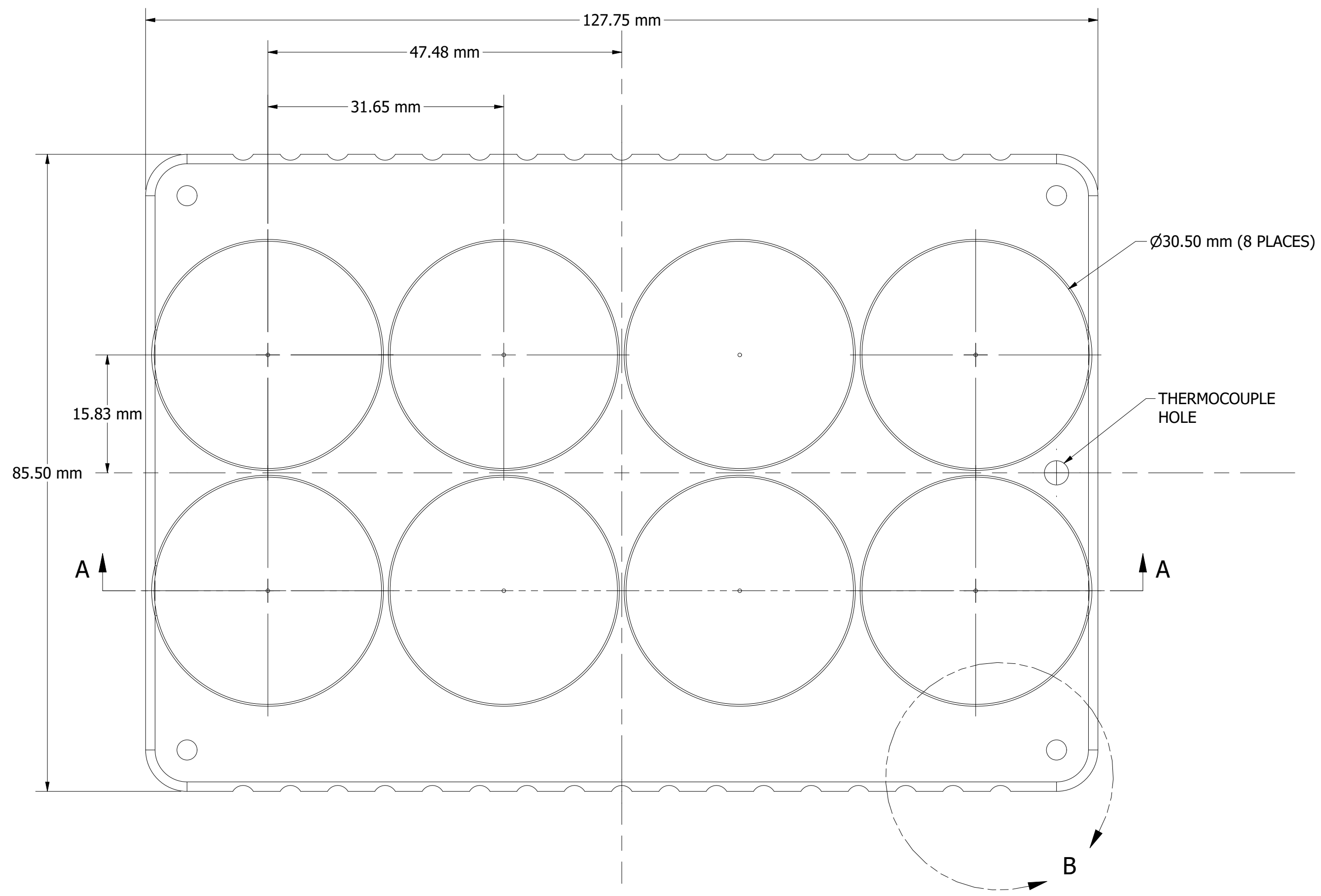
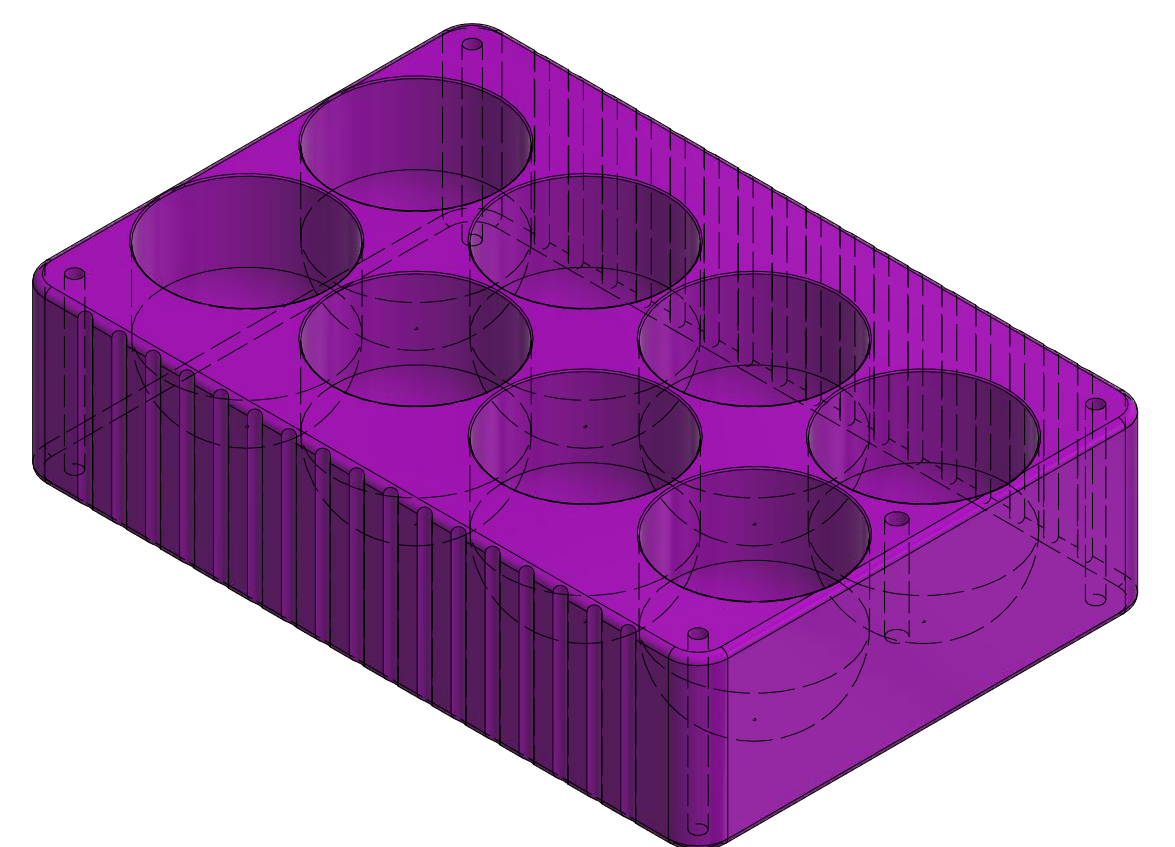
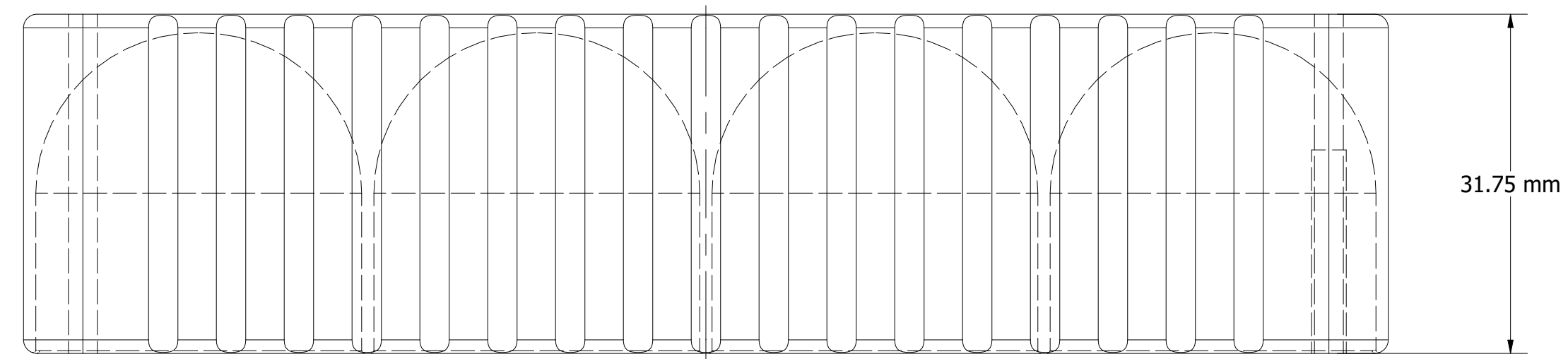


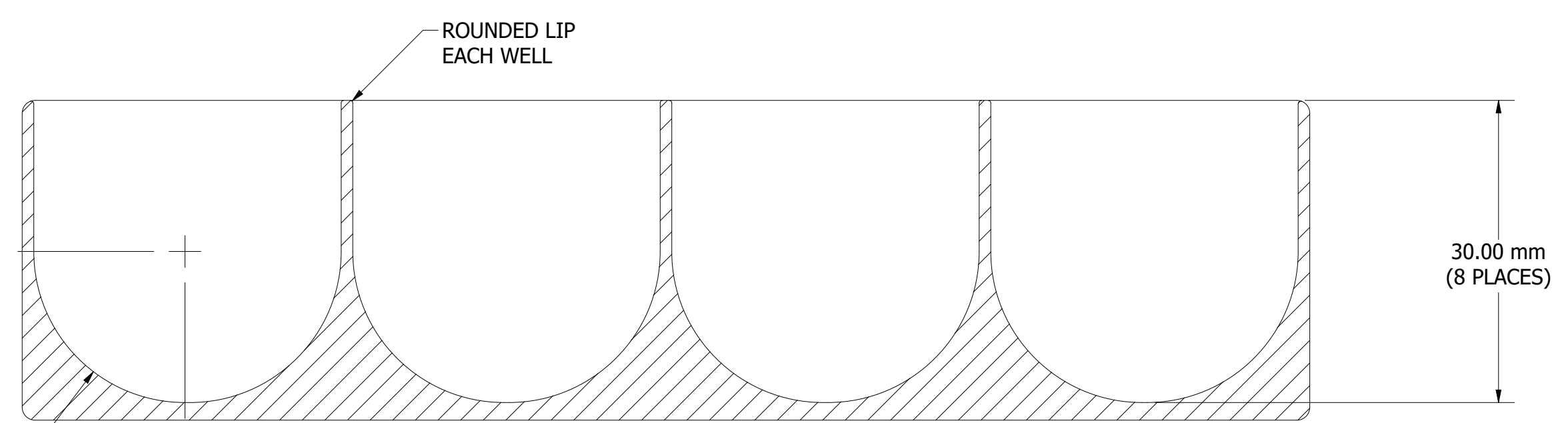
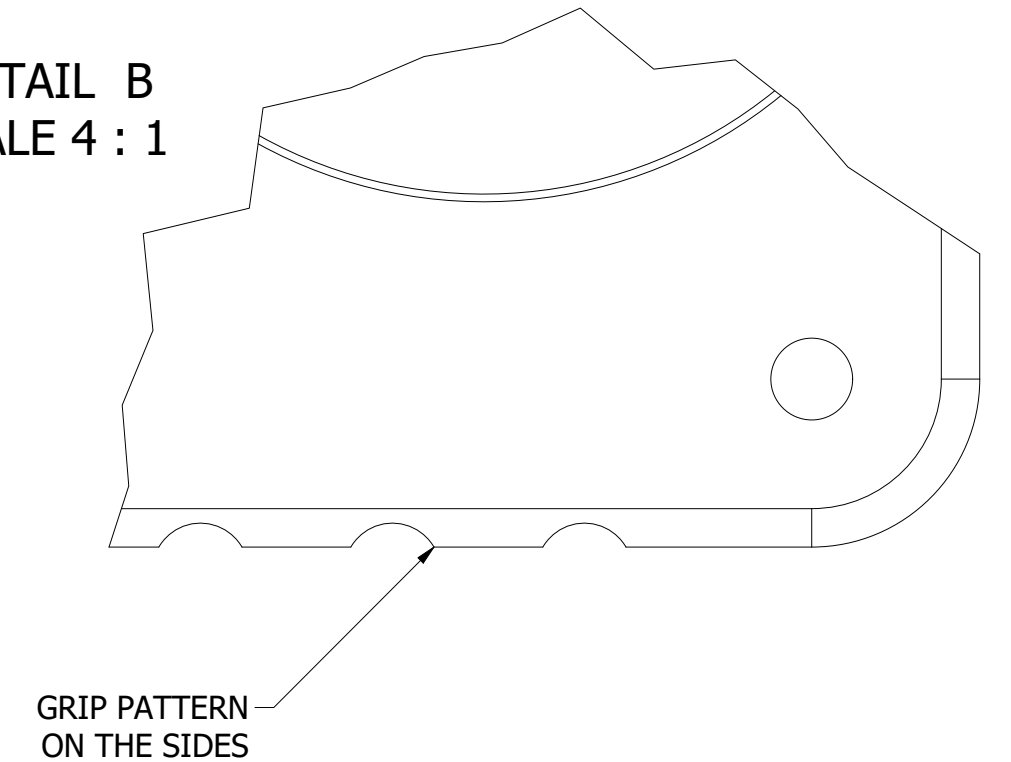
16 15 14 13 12 11 10 9 8 7 6 5 4 3 2 1

NOTES:
 1. ALL DIMENSIONS IN MILLIMETERS
 2. MATERIAL: PURPLE ANODIZED ALUMINUM

REVISION HISTORY			
REV	DESCRIPTION	DATE	APPROVED
1A	INITIAL RELEASE	7/2/2020	ENGINEERING
1B	ADDED 6-32 THREADS	7/10/2020	ENGINEERING



DETAIL B
 SCALE 4 : 1



SECTION A-A
 SCALE 2 : 1

P

DRAWN Matt Dabrowski email engineering@analytical-sales.com	7/2/2020	ANALYTICAL SALES & SERVICES, INC © 2020	
TITLE		963048_rev1b_PUBLIC	
SIZE D		SCALE 2 : 1	REV 1B
SHEET 1 OF 1			

16 15 14 13 12 11 10 9 8 7 6 5 4 3 2 1