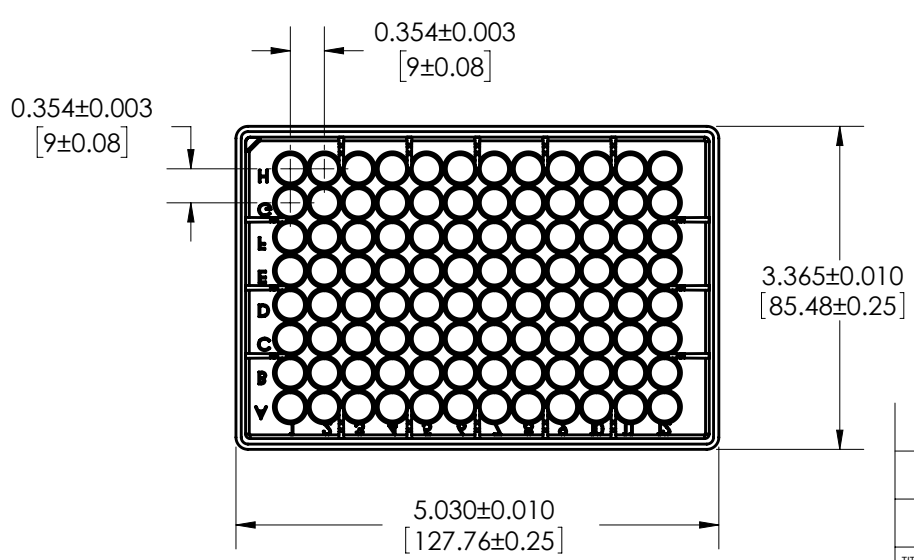
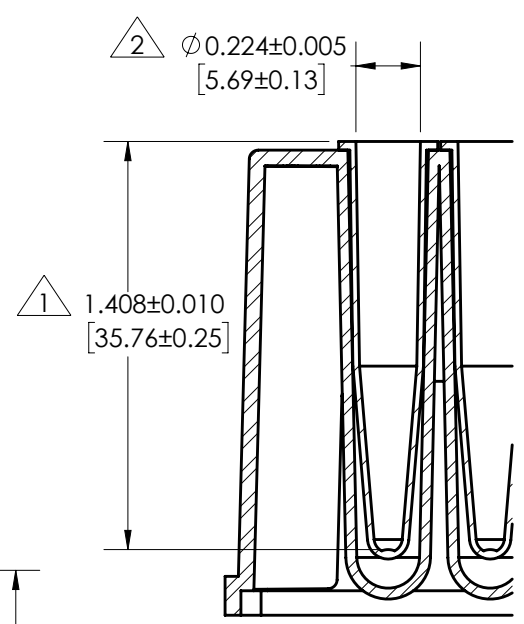
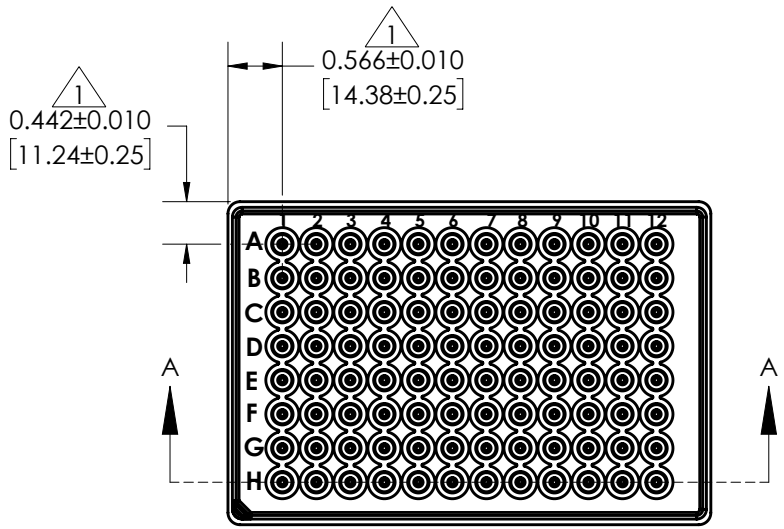
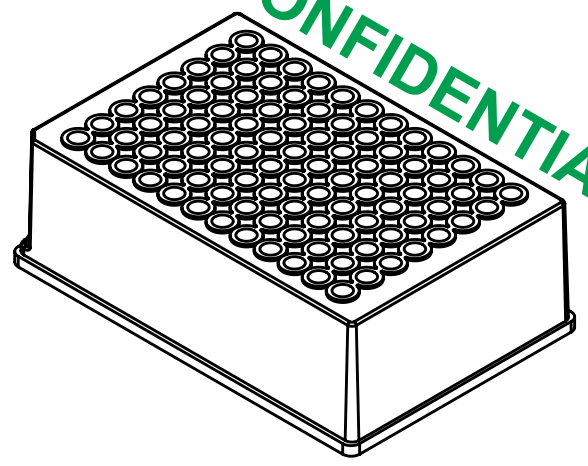


CONFIDENTIAL



2	2020/05/29	ADD WELL DIAMETERS	A.P.
1	2017/06/08	ADD WELL DIMENSIONS	A.P.
	DATE	DESCRIPTION	BY

TITLE:



179 Route 206
 Flanders, NJ 07836
 Phone: 973-616-0700
 Email: info@analytical-sales.com
 Website: www.analytical-sales.com

MATERIAL: POLYPROPYLENE	
REF.:	SCALE: N.T.S.
BY:	DATE: 2017/06/08
DRAWING: 96865	PAGE: 1 / 1 REV.: 2

UNITS
 0.000 inch
 [0.00] mm

FORMAT

THIS DRAWING CONTAINS CONFIDENTIAL INFORMATION AND
 MAY NOT BE REPRODUCED IN WHOLE OR IN PART IN THE
 ABSENCE OF WRITTEN AUTHORIZATION BY ANALYTICAL SALES
 AND SERVICES, INC.