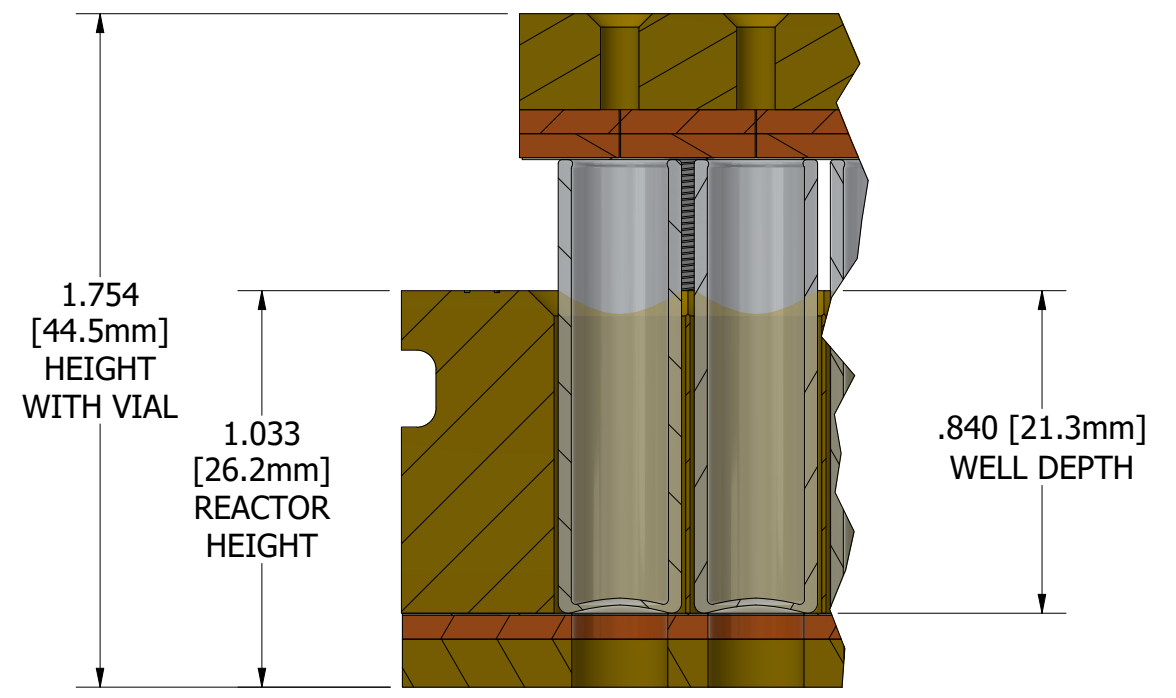
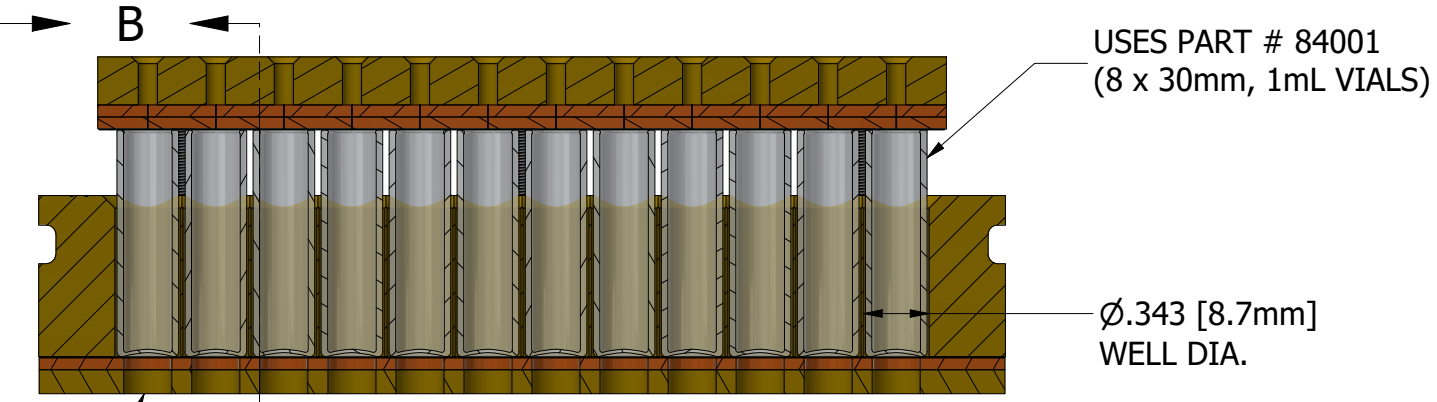


REVISION HISTORY			
REV	DESCRIPTION	DATE	APPROVED
1A	INITIAL RELEASE	10/28/2019	ENGINEERING
1B	DEFINED CORNER CHAMFER	5/9/2024	ENGINEERING



DETAIL B  
SCALE 2 : 1



SECTION A-A  
SCALE 1 : 1

DRAWN MD	10/28/2019	<b>ANALYTICAL</b> SALES & SERVICES, INC © 2024	
TITLE	96973_rev1b_PUBLIC		
SIZE	B	REV	1B
SCALE	1 : 1	SHEET 1 OF 1	

P